

Cold joint has SCFC





Cold joint has SCFC



An experimental and numerical study on the effects of cold joint

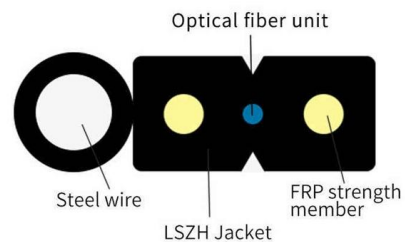
The study aims to measure the reduction in compressive and flexural strength of concrete specimens containing cold joints, evaluate the effect of cold joint orientation (vertical, horizontal, or

[Contact Us](#)

Cold Joint in Concrete , Why Important to Know

Though the cold joints in concrete are not an issue structurally when compression stresses are applied, it is weak in tension. If the cold joint is formed in an area

[Contact Us](#)



Cold Joints , Concrete Society

Generally, cold joints are not a problem structurally if the joint is in compression. However, the location of the joint within the structure, the structural function of the

[Contact Us](#)



How to Prevent Cold Joints in Concrete , Cold Joint in Slab

In this article, we will learn all about cold joints in concrete: causes, effects, prevention, and repair methods.

[Contact Us](#)



Cold pour joints in concrete foundations & floors

Cold pour joints occur because of the time delay between subsequent "pours" into the foundation forms.

[Contact Us](#)



How to Prevent Cold Joints in Concrete , Cold Joint in Slab

If you encounter a cold joint in a concrete structure, it's essential to address it promptly to prevent further deterioration and structural issues. Here are steps for

[Contact Us](#)



The Ultimate Guide to Preventing Cold Solder Joints:

Learn how to prevent cold solder joints with our ultimate guide. Master temperature, techniques, and tools for reliable PCB connections.

[Contact Us](#)





An Experimental Study on Strength of Concrete Due To

This study focuses primarily on by what means the strength of concrete is affected from cold joints formation and how the effect of such joints

[Contact Us](#)



Understanding Cold Joints In Concrete Footings: Causes, Effects, And

Discover the essential guide to understanding cold joints in concrete footings and their impact on structural integrity. This article explores the causes, consequences, and best practices for preventing

[Contact Us](#)

Experimental Investigation of the Effect of Cold Joint on

In the first part of the study, fresh concrete was poured into molds filling them half in order to create a horizontal cold joint and after 0, 60, 120 and 180 min additional concrete was poured to top off the

[Contact Us](#)



Cold Joint , Cold Joint Concrete , Cold Joints In

A cold joint in concrete is one type of crack in concrete caused by an interruption or delay in concrete operations. It occurs when the first batch of concrete has begun

[Contact Us](#)



Everything You Should Know About Cold Solder Joint

Disturbed cold solder joints These are the most common types of cold solder joint problems. They occur when the board or the soldered component is

[Contact Us](#)



Cold Weather and Joint Pain: Causes and

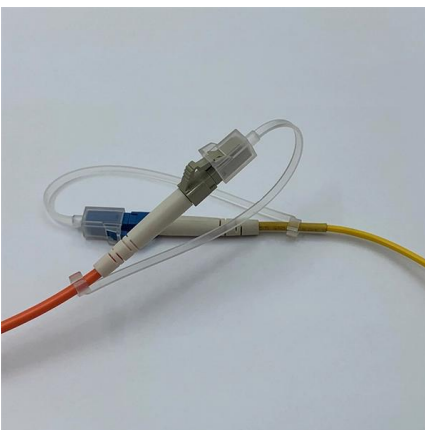
If your joints get especially achy and stiff during cold weather, you're not alone. Weather can affect your joints. Learn why this is so and tips for finding

[Contact Us](#)

Cold Joints In Concrete: Causes, Detection, And Prevention

A cold joint in concrete is a boundary between two layers of concrete that have not properly bonded together. This can occur when the second layer is placed before the first layer has

[Contact Us](#)



Cold Joints in Concrete: Invisible Threat to Structural

A cold joint in concrete may appear minor at the time of construction; however, long-term cold joints can have serious long-term effects.

[Contact Us](#)



Cold Solder Joint Explained: How to Spot and Fix It

Learn how to identify, fix, and prevent cold solder joints. These hidden defects can cause intermittent failure in electronic circuits.

[Contact Us](#)



Sternoclavicular (SC) Joint Disorders

The sternoclavicular (SC) joint is one of the four joints that make up the shoulder. The joint is located in the spot where the clavicle (collarbone) meets the sternum

[Contact Us](#)

Cold pour joints in concrete foundations & floors

Concrete foundation cold pour joints: This article describes the appearance, cause, & problems that may occur at cold pour joints in concrete foundation walls and occasionally floors or ceilings. A cold pour

[Contact Us](#)



How to Identify and Repair Cold Solder Joints

Learn everything about cold solder joints - what causes them, how to identify dull grainy solder connections, their effects on circuits, and step-by-step repair

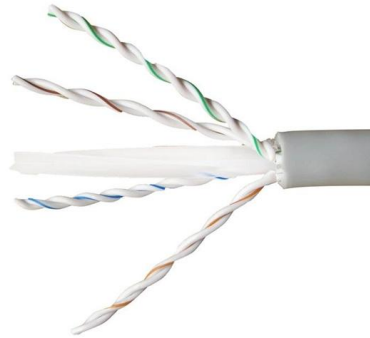
[Contact Us](#)



Cold Solder Joints: Causes, Detection and Prevention

Learn what causes cold solder joints, how to detect them via visual/X-ray inspection, and proven prevention methods. Includes BGA/CSP solutions and

[Contact Us](#)



Cold Solder Joints: Causes, Detection & Prevention Guide

A cold solder joint occurs when solder doesn't properly melt or bond, creating a weak electrical/mechanical connection --

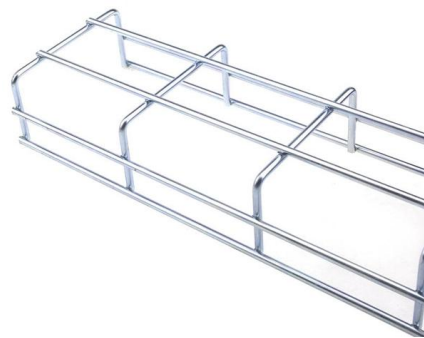
[Contact Us](#)



The Critical Threat of Cold Joints in Concrete Columns: Ensuring

A cold joint forms when a new layer of concrete is poured and placed onto a previously cast layer that has already begun its initial setting phase, resulting in insufficient cohesion between

[Contact Us](#)



What is a Cold Joint Solder and How Can You Prevent

An uncontrolled temperature can lead to overheating, cold solder joints, and other soldering issues. Using a soldering station with adjustable

[Contact Us](#)





Cold Solder Joint

Learn what is Cold Solder Joint - Symptoms, Prevent, Repair and Fix Cold Solder Joint. Everything You Should Know about Cold Solder Joints.

[Contact Us](#)



Cold Solder Joint

By taking care of these issues, you can hopefully avoid cold solder connections in various PCB types. How to avoid Cold Solder Joint You must maintain

[Contact Us](#)



Cold Solder Joint Guide: How to Identify, Fix, and Prevent

Learn what a cold solder joint is, what it looks like, and its causes. Expert engineering guide on how to fix and prevent these defects in PCB assembly.

[Contact Us](#)



All About of Cold Joint in Concrete , What is Cold Joint Concrete

Cold joint in the concrete is a defect which occurs in the concrete due to improper or delayed placing of the concrete layers. The question may arise in your mind that whether the cold

[Contact Us](#)





Cold Joints [Prevention & Definition] , FMP Construction

Cold joints can cause problems on a construction project. Learn more about the different types and how to prevent them.

[Contact Us](#)



Contact Us

For datasheets, pricing, or custom fiber access solutions, please visit:
<https://frindel.es>