

# **Coefficient of 90° elbow in cable tray**





## Coefficient of 90° elbow in cable tray

---



### Horizontal Elbow 90 Degrees

horizontal elbow 90 degrees is a product of bestray It belongs to the cable tray product line We are committed to the quality of our products when

[Contact Us](#)

### 90° Vertical Elbow , Cable Tray Systems , PUPCO

The 90° Vertical Elbow provides essential support and enables seamless cable management throughout your cable routing system. All fittings have 3" tangents

[Contact Us](#)



Motor protection controller



### CABLE TRAY SYSTEMS GUIDE

Square Corners: 90 Degree Horizontal Elbows, Horizontal Tees and Horizontal Crosses are available with square corners (0" Radius). The 6" through 18" square-corner fittings are designed to align with

[Contact Us](#)

### Swage Ladder Tray Horizontal Elbows 90°

Cope zero tangent elbow fitting for compact cable tray layouts. Saves space and eases installation.

[Contact Us](#)



### **Duct Fitting Loss Coefficients , PDF , Gases , Materials**

This document provides a table of loss coefficients for various elbow fittings in piping systems. It lists elbows that are 90 degrees, rectangular in different planes or a

[Contact Us](#)



### **CABLE TRAYS**

CABLE TRAYS & ACCESSORIES ELECTROLINE  
CABLE TRAYS ARE DESIGNED AND  
MANUFACTURED TO ENSURE EASE DURING  
INSTALLATION. PRODUCED IN 3.0 ME-TER

[Contact Us](#)



### **nVent CADDY Wire Basket Tray PreForm Elbow 90**

The nVent CADDY Wire Basket Tray PreForm Elbow 90° is a precision-engineered solution designed to streamline cable tray installations when a directional change is needed. With its pre-galvanized steel

[Contact Us](#)

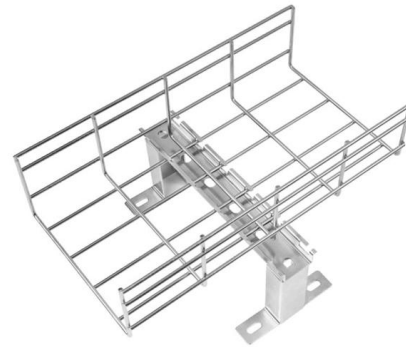




### **I-BEAM Ladder Horizontal Elbows 90°**

Cope I-BEAM horizontal bend for cable tray systems. Compatible with NEMA Classes 12B, 12C, 20A, 20B, 20C, and higher.

[Contact Us](#)



### **90 Degree Horizontal Elbow Cable Tray, HDG, Inside**

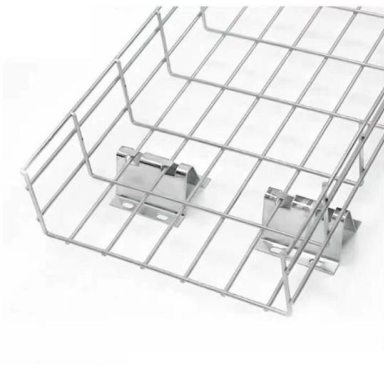
Horizontal 90 degree elbow perforated cable tray, manufactured from hot dip galvanized steel (HDG), inside flange, 1.5mm thick, 100mm height, 150mm width.

[Contact Us](#)

### **Elbow 90 Degrees Cable Tray 300mm (W) 50mm (H)**

Elbow cable trays can fit into a corner to hold up, organise, and distribute your cable. With holes crafted for optimal airflow around the cables, you can also use cable

[Contact Us](#)



### **90 Horizontal Elbow , Ladder Trays , Cable Tray and Reels , Wire and**

The aluminum I-beam design of ITray is perfect for industrial installations with large diameter cables in long span situations, minimizing total tray width and creating a smooth transition between straight

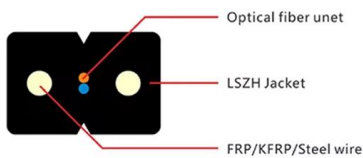
[Contact Us](#)



## 90 Degree Elbow Cable Tray

Discover 90 degree elbow cable trays in stainless steel & aluminum. Ideal for cable management with CE certification and corrosion-resistant finishes.

[Contact Us](#)



## Cable Tray Fitting creation (Elbow Bend)

I've taken a look at this file, but it doesn't seem to work. Here is the simple solution Create two type : 90 elbow and 45 elbow In the real world, to make a 45 elbow, we need two segments, to

[Contact Us](#)

## cable tray system

A cable tray system is an assembly of metallic cable tray sections and accessories, that forms a rigid structural system to support cables.

[Contact Us](#)



## Horizontal 90 degree Elbow

Primus Cables' Horizontal 90° Elbow for Cable Ladder Rack System--tubular steel construction, maintains bend radius, RoHS compliant, easy install. Order today!

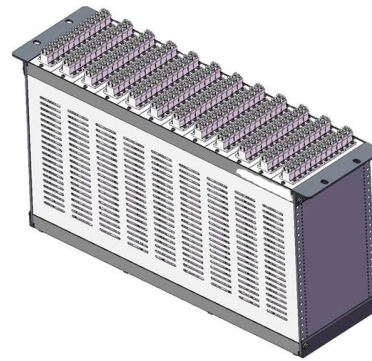
[Contact Us](#)



### electrical #cable tray# making 90,° elbow #

Creating a 90-degree elbow in an electrical cable tray, often called a "fabricated" or "mitered" bend, involves cutting, bending, and fastening a straight section of tray.

[Contact Us](#)



### Elbow 90° RES

Elbridge Home Cable Support Systems, steel Cable Trays System Fittings Edge Height 85 Elbow 90° RES

[Contact Us](#)

### Cable Tray Accessories, Cable Tray Hangers & Support , RS

These fittings are used in conjunction with cable trays to support cables in ventilation holes, assist with directional change of piping systems, and aid cable channelling around obstacles. There are several

[Contact Us](#)



### Elbow 90°, small, KKW

### Cable Tray Design and Components Guide

This document provides information about cable trays and accessories, including straight cable trays, perforated trays, returned edge and flange types, and bent

[Contact Us](#)



GRP-Elbow 90° for cable tray KK, small, with unperforated side rails, with moulded connector, glass fiber reinforced polyester, pressed, RAL 7032, pebble grey

[Contact Us](#)



### How to make a 0-90° vertical angle for cable trays?

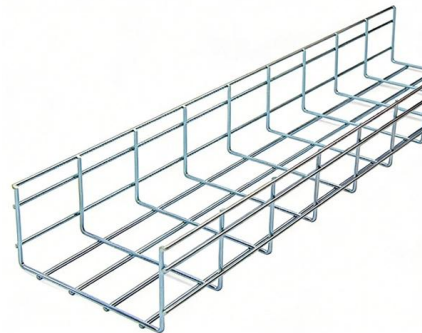
Elbow joint RVS is pushed inside the cable tray and attached with the included screw set. Elbow joint RVS can be used to change a cable tray's horizontal orientation

[Contact Us](#)

### Method for Fabricating 90-Degree Bend Elbows for Cable Tray

Making bent elbows for cable trays according to the formulas provided in the diagram is for reference only. The data is directly related to the width or height of the cable tray, and calculations can be

[Contact Us](#)



### 90° Horizontal Elbow , Cable Tray Systems , PUPCO

The 90° Horizontal Elbow provides essential support and enables seamless cable management throughout your cable routing system. All fittings have 3" tangents

[Contact Us](#)



## GUIDE CABLE TRAYS TECHNICAL

NEMA VE 1-2017 Specifies requirements for metal cable trays and associated fittings designed for use in accordance with the rules of Canadian Electrical Code, Part I and the National Electrical Code®

[Contact Us](#)



### Elbow 90° RES

RES 85.200 F Elbow 90° for cable tray, 85x202 mm, with unperforated side beams, steel, hot dip galvanised DIN EN ISO 1461, incl. accessories  
Add to Cart EURO.00 Excl. 0% VAT EAN

[Contact Us](#)

### A Guide to Installing and Supporting Electrical Cable Trays

A professional guide to installing electrical cable tray systems per NEC Article 392. Covers support, securing cables, and fill calculations.

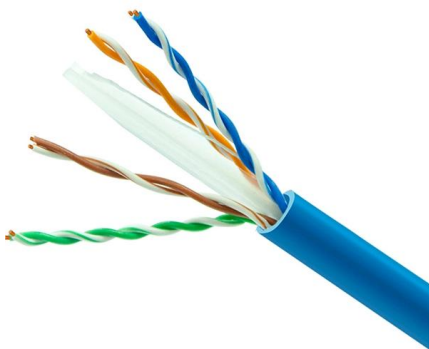
[Contact Us](#)



### 90 Degree Horizontal Elbows Catalog , PDF , Dimension

The document provides specifications for metallic cable tray elbows and fittings, including catalog numbers, dimensions, and fitting series. It details the standard

[Contact Us](#)



**Shop 90 Deg Horizontal Elbow Cable Tray,**



### **Pre Galvanized Steel,**

Horizontal 90 degree bend perforated electrical cable tray, manufactured from pre galvanized steel (GI), 1.5mm thick, 100mm height, 150mm width, its unique design allows for easy bending without the

[Contact Us](#)



### **Tray and Ladder Sizing by Cable Capacity Calculator - IEC**

Calculate tray and ladder sizes by cable capacity with our IEC-compliant calculator for efficient and accurate electrical installations.

[Contact Us](#)

## **Contact Us**

---

For datasheets, pricing, or custom fiber access solutions, please visit:  
<https://frindel.es>