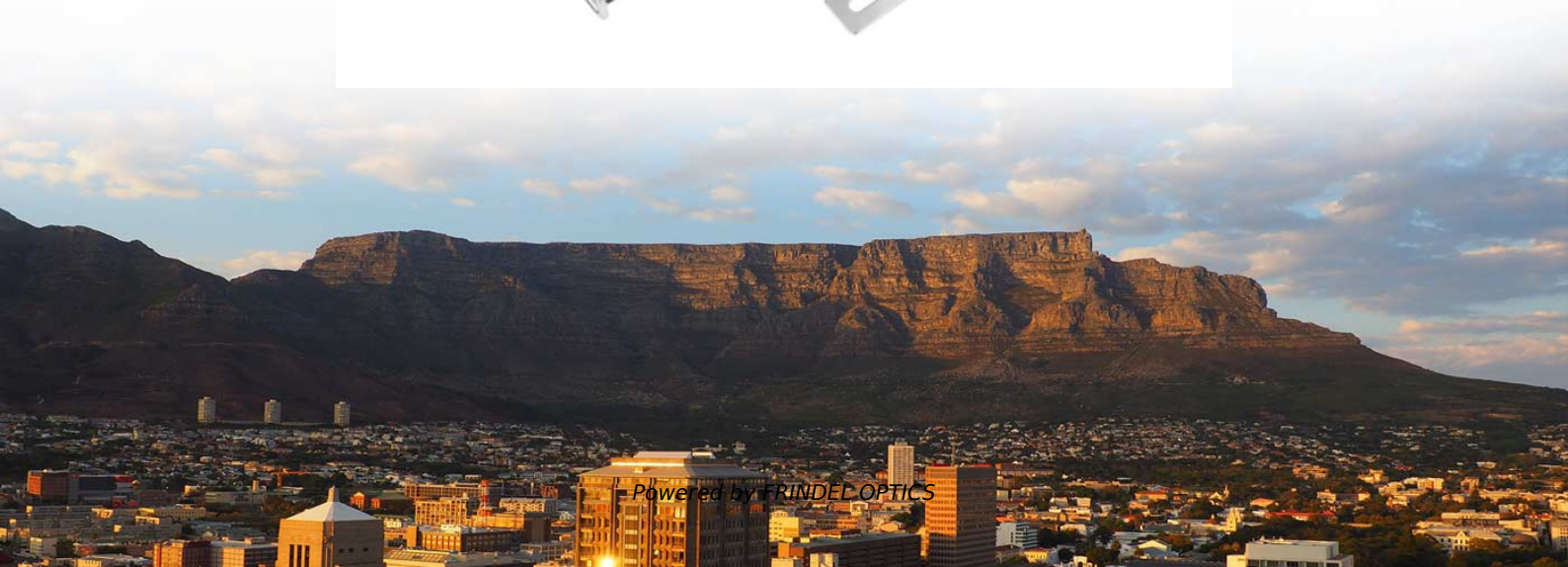
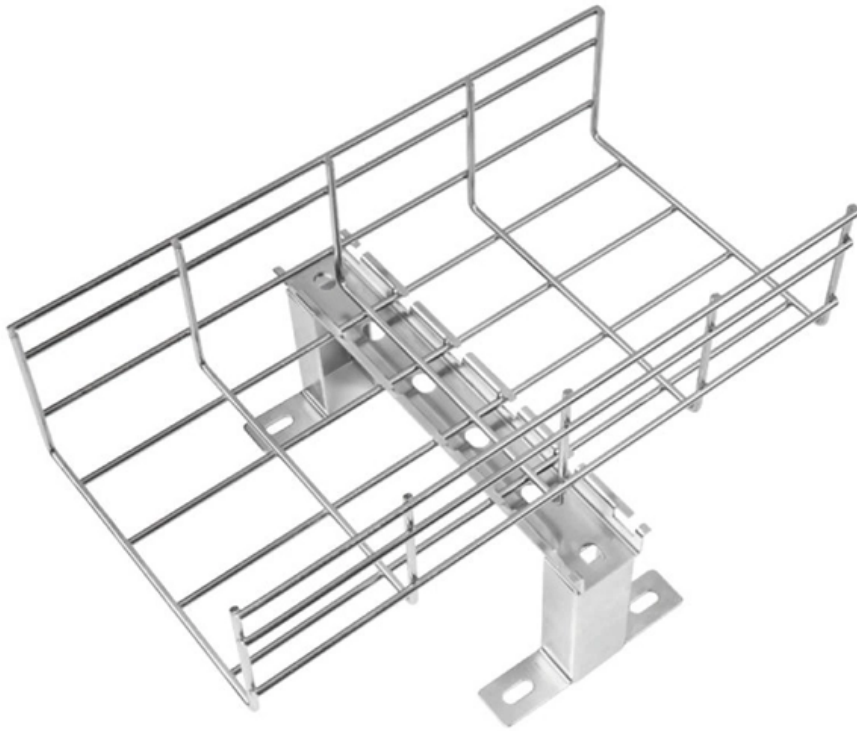




FRINDEL OPTICS

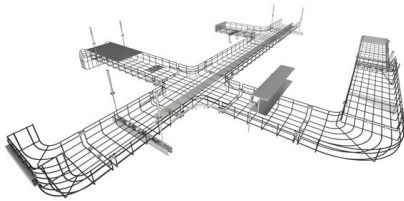
Class C Qualification for Telecommunication Tower Construction





Class C Qualification for Telecommunication Tower Construction

ISO Certification for Telecom Infrastructure 2026 , 9001,



These businesses construct and upgrade mobile towers, fiber-optic networks, data transmission corridors, underground ducts, exchanges, and

[Contact Us](#)

ANSI/ASSP A10.48-2023: Communication Structures

This American National Standard serves as a resource, outlining many construction and maintenance practices. It provides comprehensive

[Contact Us](#)



Telecommunication Tower Reinforced Concrete Foundation

Telecommunication Tower Reinforced Concrete Foundation Telecom (Telecommunications) towers are a generic description of radio masts and towers built primarily to hold telecommunications antennas.

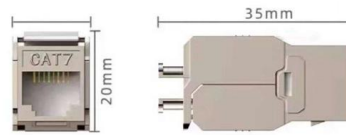
[Contact Us](#)



4.08 Tower Climbing Safety

Tower climbers must only climb towers certified by the manufacturer to meet the specifications of the Telecommunications Industry Association's TIA 222-H, Structural Standard for

[Contact Us](#)



Telecommunications Training & Certifications

TC1002 Competent Climber/Rescuer TC2003 National Wireless Safety Alliance NWSA TTT-1 & TTT-2 Additional Course Offerings Adult and Pediatric First Aid/CPR/AED and Bloodborne Pathogens more

[Contact Us](#)

Introduction to New Telecommunications Construction Standards:

The following table provides basic guidelines which must be reviewed by the contractor when determining the appropriate construction class: CONTINUED ON NEXT PAGE standards to help

[Contact Us](#)



Tower Design Checklist

ANSI/TIA-222-G TOWER DESIGN CHECKLIST The following information provides an overview of some of the minimum requirements necessary to assist in the

[Contact Us](#)



Telecommunications Tower Technician course offered Telecom

Competent Rigger Level 1 training provides the necessary qualification requirements towards the wireless cell tower construction industry, OSHA §1926 Subpart CC, General Industry OSHA §1910,

[Contact Us](#)



(PDF) Design of telecommunication tower

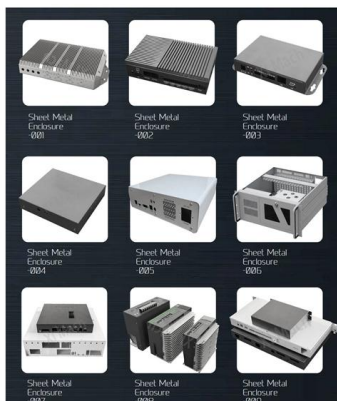
This project focuses on the structural design and analysis of a 40-meter telecommunication tower, aimed at ensuring optimal performance and stability

[Contact Us](#)

Classification of Tower Structures

Application of ANSI/TIA-222-G structure classes to communication tower design and analysis is frequently misapprehended. Risk categorization established within ASCE 7 and IBC are historically

[Contact Us](#)



Classification of Tower Structures per ANSI/TIA-222

Application of ANSI/TIA-222-G structure classes to communication tower design and analysis is frequently misapprehended.

[Contact Us](#)



A Guide to Understanding Telecom Tower Safety Standards

An expert guide to telecom tower safety standards. Explore the critical rules for structural design, construction, maintenance, and RF exposure to ensure network safety.

[Contact Us](#)



ISO Certification for Telecom Infrastructure 2026 , 9001,

Master telecom construction compliance with ISO 9001:2026, 45001, and 14001. Expert guide to 2026 revisions, ISO 15143-4 interoperability, and

[Contact Us](#)

Update on A10.48 Standard Gordon Lyman

Table of Contents Engineering standard for towers under construction and analysis, design, and fabrication requirements for gin poles

[Contact Us](#)



Classification of Tower Structures per

Correct application of structure classification to communication tower design and analysis must be undertaken with the understanding of the unique nature of wireless telecommunication networks and

[Contact Us](#)



Classification of Tower Structures per ANSI/TIA-222-G, IBC and ASCE 7

Definition of Structure Class - ANSI/TIA-222-G The definition of Structure Class, per ANSI/TIA-222-G, with additional commentary by the authors, is provided below: ANSI/TIA-222-G Definitions:

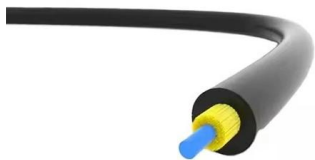
[Contact Us](#)



Understanding The Anatomy of a Telecommunication Tower

Telecommunication towers are complex, highly engineered structures that play a vital role in modern communication networks.

[Contact Us](#)



How to Become a Cell Tower Technician: Career Path

Job Description: What Does a Cell Tower Technician Do? A cell tower technician is also called a tower technician or a telecommunications tower technician. They

[Contact Us](#)



ANSI/TIA-222 Telecommunication Towers

This Planning Advisory Notice (PAN) focuses primarily on Section 14 of the ANSI/TIA-222 Standard. Section 14 covers minimum criteria for a proper Maintenance and Condition Assessment of antenna

[Contact Us](#)



Telecommunications Mast Installation Guide , PDF

This document outlines technical specifications for the installation of telecommunications masts and towers. It discusses general principles such as

[Contact Us](#)



Certifications To Look For in Tower Builders

The construction of communication towers is a complex undertaking, requiring skilled professionals with the appropriate certifications. From technical expertise to safety and compliance, each certification

[Contact Us](#)

Tower Climbing Certification

Tower Technician Climb to New Heights as a Tower Technician Ready for a career change? The online tower technician program at Pinnacle Career Institute is

[Contact Us](#)



Level 3 NVQ Diploma in Plant Installations Tower Crane (Construction)

Introduction The ProQual Level 3 NVQ Diploma in Plant Installations - Tower Crane (Construction) qualification provides a nationally recognised qualification for those working in the construction and

[Contact Us](#)



General Article

Code 7612, Telephone or cable TV line installation, is a class code that can often create reporting problems. This class code is used for the antenna installation,

[Contact Us](#)



Contact Us

For datasheets, pricing, or custom fiber access solutions, please visit:
<https://frindel.es>