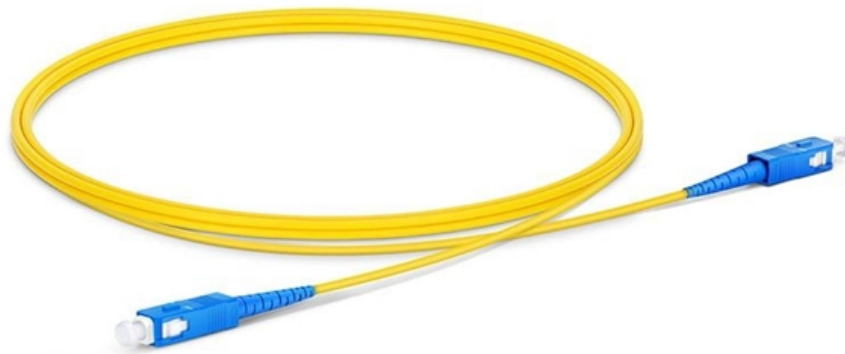


Channel-type flat iron



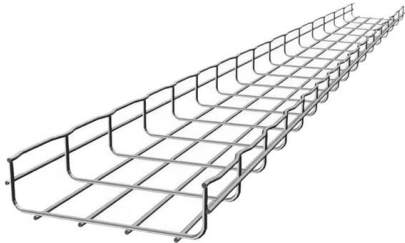


Overview

Channel steel, also known as channel iron or C-channel, is a long, hot-rolled structural steel product with a distinctive "C" or "U" cross-sectional shape. Its design features parallel flanges and a perpendicular web, offering excellent load-bearing capacity and structural. They are great materials for manufacturing since they are made to assist heavy machinery and equipment, especially in metal rolling. A steel channel is a profile formed from hot-rolled high quality mild carbon steel and shaped with two parallel or tapered horizontal flanges joined by a wide vertical web.



Channel-type flat iron



Steel Channels: Types, Applications and Advantages

Check out how steel channels are formed and the advantages of steel channels. Learn about the principles, applications, and types of steel channels.

[Contact Us](#)

Channel Iron , McMaster-Carr

Choose from our selection of channel iron, including low-carbon steel U-channels, multipurpose 6061 aluminum U-channels, and more. Same and Next Day Delivery.



[Contact Us](#)



Explaining Common Metal Shapes: Flat Bar, Angle, And

Channel steel, often called C-channel, has a cross-section shaped like a letter "C" with two flanges on one side and a web in the middle. This design

[Contact Us](#)

Types of Steel Channels and Their Uses

Steel channels come in different varieties that help the construction industry address and resolve specific needs. Understanding the types of steel channels and their

[Contact Us](#)



5-INCH COLOR TOUCHSCREEN

Intuitive operation, easily accessible with just one touch



What is Channel Iron? Types, Uses & Benefits Explained

Discover what channel iron is, how it's made, types like U, C, Z & Hat channels, plus key benefits & applications in construction, framing & industrial projects.

[Contact Us](#)



Flat Irons , Ceramic & Tourmaline Hair Straighteners

Discover top-rated flat irons including ceramic, tourmaline, and titanium options. Features anti-static, ionic, and heat technologies. Choose from 1", 1.25", and more sizes for sleek, professional results.

[Contact Us](#)



The 14 Best Flat Irons, Tested and Reviewed

Best Overall: The BaBylissPro Nano Titanium Dual Ionic Flat Iron heats in 20 seconds and works for both straightening and curling. How We

[Contact Us](#)



The 9 Best Flat Irons for All Hair Types, Tested & Approved

The 9 Best Flat Irons for All Hair Types, Tested & Approved When it comes to styling tools, a flat iron is essential for achieving sleek, straight locks or beautiful curls,

[Contact Us](#)



Angles and Channels , National Steel

It is manufactured from hot-rolled steel and is generally made up of a wide flat surface and two flanges which are at right angles to both ends. The C Channel is

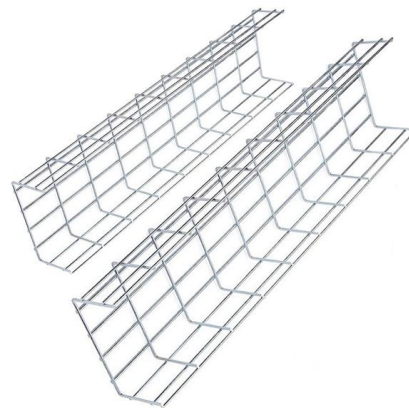
[Contact Us](#)



10 Best Professional Flat Irons Review For All Hair

Flat iron hair straighteners have come a long way in the last few years. If you haven't tried the best professional flat irons in years, you are going to be

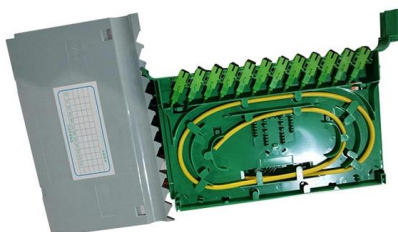
[Contact Us](#)



Different Types of Steel Channels , BM Steel

Types of steel channels and their uses The roll forming process allows us to manufacture steel channels in a variety of shapes and dimensions.

[Contact Us](#)





Best Flat Irons

For this review of the best flat irons, Consumer Reports evaluated models from Dyson, GHD, Hot Tools, and others.

[Contact Us](#)



10 Best Hair Straighteners & Flat Irons We've Tested in 2026

The best flat irons, hair straighteners for every budget and hair type, from thick and frizzy to fine and damaged, curly, frizzy, and beyond.

[Contact Us](#)



The 6 Best Flat Irons of 2026

We spent weeks straightening hair of all different textures and thickness to review and find the best flat iron for all hair types.

[Contact Us](#)



Exploring Steel Channel Types and Their Uses , Boss Steel

Explore the different types of steel channels, their designs, and key considerations for selection. Learn how to choose the right channel for your

[Contact Us](#)



Understanding Structural Steel Shapes: Angles, Beams, Channels

Angles and flat bar for connections and brackets, beams for spanning and bending loads, channels for framing, HSS for columns and frames, plate for flat components. Iron Wei Steel Corp stocks all of

[Contact Us](#)



Types of Steel Channels and Their Uses

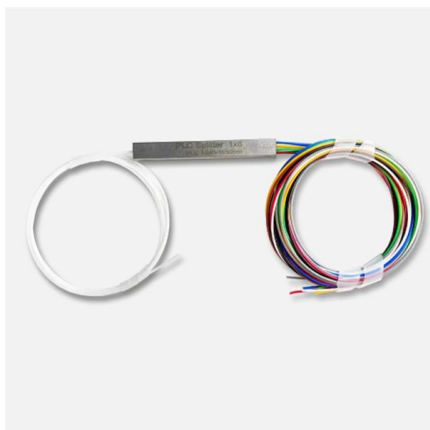
Dive into the diverse range of steel channels available for various applications, from structural support to framing and construction projects.

[Contact Us](#)

Different Types of Steel Channels , BM Steel

A steel channel is a profile formed from hot-rolled high quality mild carbon steel and shaped with two parallel or tapered horizontal flanges joined by a wide vertical web.

[Contact Us](#)



Plates, Rails, Beams, Channels, Angle, Rounds

Rajendra Steels is a professionally managed organization and leading supplier/trader of high quality Plates, Rails, Beams, Channels, Angles, Rounds, TMT and other

[Contact Us](#)



Titanium vs Ceramic Flat Iron: Which One is Better?

Titanium vs ceramic flat iron? We break down the benefits of ceramic and titanium flat irons to help you decide which flat iron is better for your hair!

[Contact Us](#)



Structural Channels

Kloeckner supplies structural channels, MC channels, and bar channels in various grades and dimensions. They can be cut to specification.

[Contact Us](#)

Types of steel channels-CONTINENTAL STEEL CO.,LTD

J channels are distinguished by one side being longer than the other, creating a J-shaped profile. These channels come in various sizes and can be tailored for specific applications.

[Contact Us](#)



How to Flat Iron Hair: 14 Steps (with Pictures)

Straight hair is remarkably quick and easy to get using a flat iron styling tool in the comfort of your home. Ceramic flat irons are popular since they provide even heat for most hair types and are relatively inexpensive; titanium

[Contact Us](#)



Comprehensive Guide to Channel Steel: Grades, Standards,

Channel steel, also known as channel iron or C-channel, is a long, hot-rolled structural steel product with a distinctive "C" or "U" cross-sectional shape. Its design features parallel flanges and a perpendicular

[Contact Us](#)



4 Best Curved Flat Irons in 2026

As a professional hairstylist, I can tell you that a curved plate flat iron can be used on all hair types, but with some variations.

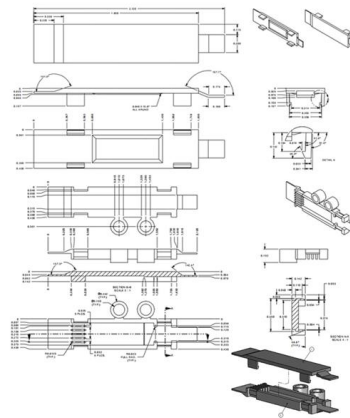
[Contact Us](#)



Steel Channel Basics

Steel channel are one of the most popular parts in construction and manufacturing. Apart from this, C channel & u channel are also used in our everyday life if you

[Contact Us](#)



Contact Us

For datasheets, pricing, or custom fiber access solutions, please visit:
<https://frindel.es>