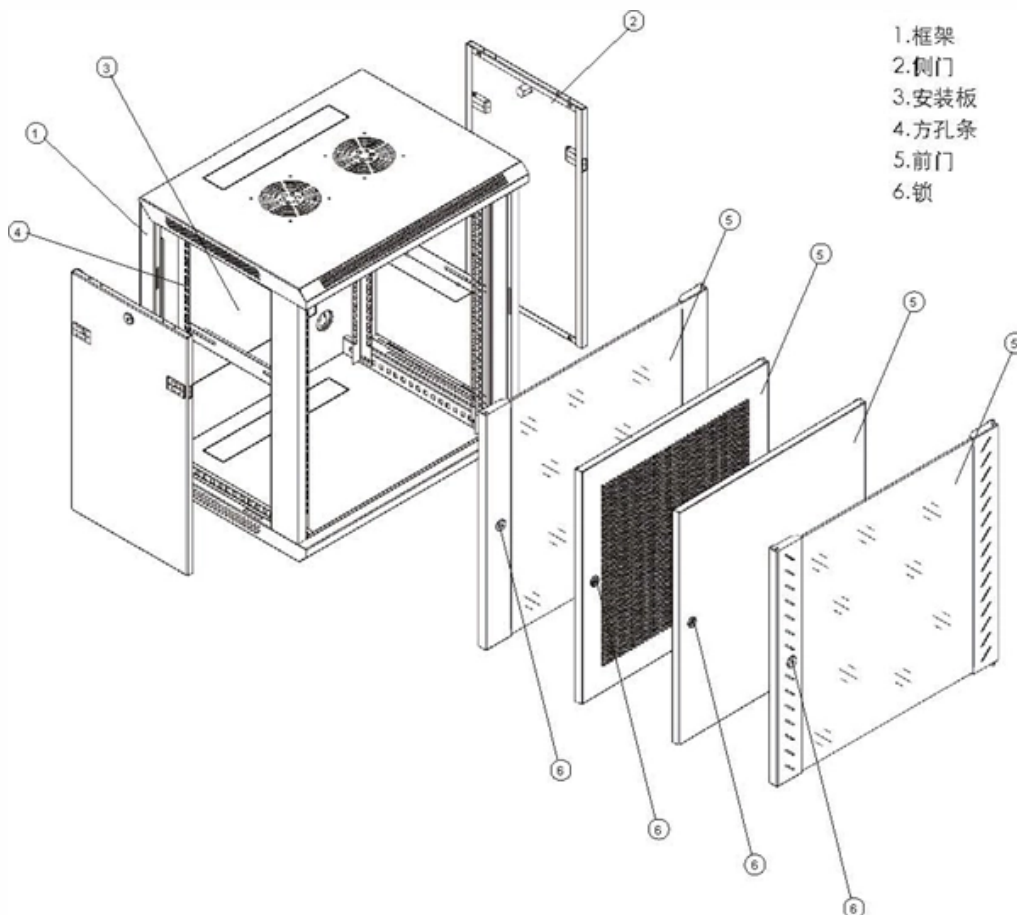


Central Asia 144-core optical cable





Overview

It is found in two different types: single mode GYTY53 cable and multimode GYTY53 cables. 144 Core GYTY53 Fiber Optic Cable is stranded loose tube structure with steel tape double sheaths, the loose tube stranding technology make the fibers have good secondary excess length. Fiber OSP cable, Armored, Arid-Core, Dry Central Tube Rollable Ribbon, 144 fiber, Singlemode G. A1, Gel-free, Feet jacket marking, Black jacket color Finish making your selections or clear them to view relevant specifications. GYTY53 uses a Fiber Reinforced Plastic (FRP) as central strength member to provides anti-electromagnetic interference property. DescriptionThe fibers, 250 μ M, are positioned in a loose tube made of a high modulus plastic.



Central Asia 144-core optical cable



48 96 144 Cores Underwater Fiber Optic Cable SWA

Underwater fiber optic cable swa armored cable are laid under water across rivers, lakes and beaches. HOC produces this steel wire armoured underwater fiber

[Contact Us](#)

Opti-Core Fibre Optic Indoor-Outdoor Armoured Cable 48 to 144

Opti-Core™ Fibre Optic Indoor-Outdoor Armoured Cable 48 to 144-Fibres, EuroClass Cca and B2ca for EMEA A T A S H E E T

[Contact Us](#)



Fiber Optic Cable Core: Understanding Its Types and Uses

1) What is a fiber optic cable Core? "The core of a fiber optic cable is the central transparent portion of the optical fiber made up of glass or plastic

[Contact Us](#)

24 Core Outdoor Armored Double Jacket Fiber Optic Cable

Fiber optic cable GYTY53, 2~144 fibers, central strength member (steel), jelly filled, fiber contained loose tube and PP filler (if necessary) stranded, water blocking



Central Loose Tube Optical Fiber Cable GYXTW 2-144

Performance characteristics: Excellent water-proof performance with superior water- barrier, excellent tensile strength with steel tape bonded outer sheath and

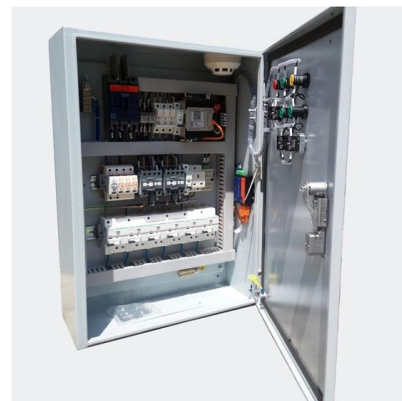
[Contact Us](#)



Opti-Core 144 and 288-Fibre Indoor Ribbon Cables, LSZH and

This cable shall contain 144 or 288 singlemode fibres for high density data center distribution applications. The fibres shall be ribbonized for easy mass fusion splicing and termination with 12-fibre

[Contact Us](#)



Opti-Core Gel-Filled Armored Stranded Tube outside lant Cable Asia

stance, and high density to provide standards compliance and flexibility for outdoor use. Opti-Core™ Armored OSP Cable has a single outer jacket and c. rrugated steel armor to provide superior crush

[Contact Us](#)





Composite Optical Ground Wire 144 Core Fiber Optic

Outdoor Aerial Single Mode Fiber Optic Cable
OPGW Optical Fibre Composite Overhead Ground
Wire OPGW is a type of cable structure with
composite of



[Contact Us](#)



Optical Fiber

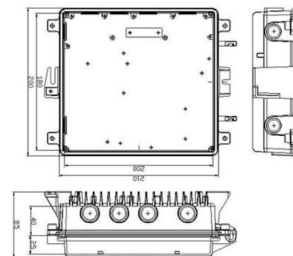
CommScope's innovations in fiber optic cable
have enabled it to produce fiber cables that
delivers consistent, fast performance over long
distances.

[Contact Us](#)

144 Core Fiber Cable GYTY53 Outdoor Armored Double

Is the 144-Core GYTY53 Fiber Optic Cable
suitable for direct burial installation?

[Contact Us](#)



How to choose the right fiber cores

A fiber core is the central part of a fiber-optic
cable, used to transmit light signals carrying
data. It is typically made of high-quality glass or
plastic, and its performance directly determines the

[Contact Us](#)



144-Core Fiber Optic Cable Specs

144-Core Fiber Optic Cable Specs This document provides specifications for a 144 core duct cable made by Yangtze Optical Fibre and Cable Company. It uses a

[Contact Us](#)



144 Core GYTY53 Fiber Optic Cable_HuaDong Cable

Metal strength member provides excellent strain performance. GYTY53 is available from 2 cores to 144 cores. Low dispersion and attenuation. Proper design,

[Contact Us](#)

144 Core CST Fibre Optic Cable Flame Retardant Armoured Fiber Cable

Overview Specifications Download Description HOC multi loose tube armoured 144 core CST fibre optic cable and other fibre cores such as 12 core to 288 core are all available for choose. 144 fibre are

[Contact Us](#)



GYFTY Central Strength 144 Core Single Mode Fiber

GYFTY Central Strength 144 Core Single Mode Fiber Optic Cable, Find Details and Price about Optical Fiber Fiber Optical from GYFTY Central

[Contact Us](#)



144 core fiber optical cable

Find wholesale 144 core fiber optical cable, data communication cable, and much more at Alibaba . Buy communication cables for your network from international suppliers.

[Contact Us](#)



144 Core Double Jacket Direct Burial Fiber GYTA53 Outdoor Fiber

The cable construction ensures long-term operational performance, with a projected lifespan of over 30 years. Installation methods are duct, aerial, and direct burial.

[Contact Us](#)

Multimode Optical Fiber Cable, 4 Core

We offer Multi - Mode Optical Fiber Cable in brands Such as Sterlite, Aksh, Paramount and others. The cable is available form 2 Core to 144 Core various

[Contact Us](#)



144 Core OFC Optical Fiber Cable

A layer of water-blocking material is applied around the cable core

[Contact Us](#)



OEM 144 Core Outdoor Optical Fiber Aerial Cable Steel

The structure of the standard figure-eight self-supporting stranded optical cable is that multimode or single mode fiber optic cables are sheathed in a loose tube

[Contact Us](#)



Catalogue Fiber Optic Cable

PT ZTT CABLE INDONESIA is a medium-sized production manufacturer of communication, power grid and accessories, it focus on fine manufacturing. The company's main products are: Fiber Optic, Fiber

[Contact Us](#)

Reliable 144 Core Fiber Optic Cables from JINGZE Manufacturers

High-quality 144 core fiber optic cables from Yancheng Jingze New Material Technology Co., Ltd. deliver reliable performance for all your networking needs. Access top-tier connectivity solutions today!

[Contact Us](#)



2 Core

Get 2 Core - 144 Core Paramount Optical Fiber Cables in New Delhi, Delhi at best price by Paramount Communications Limited and more manufacturers with

[Contact Us](#)

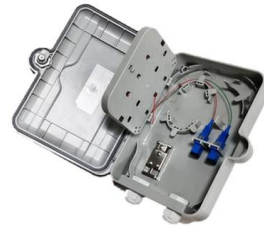




Reliable 144 Core Fiber Optic Cables from JINGZE Manufacturers

With 144 individual fiber cores, it facilitates seamless connectivity, making it an ideal solution for enhancing existing network infrastructures or implementing new projects.

[Contact Us](#)



144-core ODF optical distribution frame

Nowadays, people have higher and higher requirements for network transmission speed. When we pursue speed, we do not lose beauty. The 144-core ODF optical fiber distribution frame

[Contact Us](#)



Fiber Optic Cables

CommScope designs and manufactures a comprehensive line of fiber optic cables--from outside plant to indoor/outdoor and fire-rated indoor fiber cables.

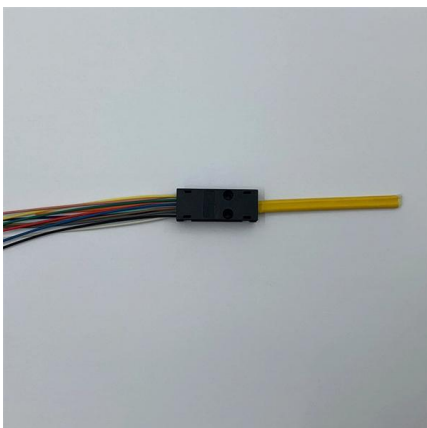
[Contact Us](#)



810010523/DB , D-144-CA-RR-F12NS/8W/99G , CommScope

Fiber OSP cable, Armored, Arid-Core, Dry Central Tube Rollable Ribbon, 144 fiber, Singlemode G.652.D and G.657.A1, Gel-free, Feet jacket marking, Black jacket color

[Contact Us](#)





144 Core UG Optical Fiber Cable Wholesale Price

Product Description 144 core UG optical fiber cable wholesale price GYTS is used for duct or aerial applications. These steel tape armored cables are suitable for

[Contact Us](#)



Custom 144 Core Fiber Optic Cable Manufacturer & Suppliers

Experience high-speed, reliable data transmission with our Fiber Optic Cable 144 Core. Yancheng Jingze New Material Technology Co., Ltd. specializes in the production of top-quality fiber optic

[Contact Us](#)

GYFTY Central Strength 144 Core Single Mode Fiber Optic Cable

Our company is a professional manufacturer of optical fiber cables. We use advanced manufacturing techniques and advanced inspecting equipment to guarantee high quality.

[Contact Us](#)



Contact Us

For datasheets, pricing, or custom fiber access solutions, please visit:
<https://frindel.es>