

# **Can fiber optic cables be split across three routers**





## Overview

---

The answer is yes, and it's a practice widely used in the industry to distribute signals to multiple destinations without degrading the signal quality significantly. For a small fee (the procurement of the modules and the circulator) you can split/splice one physical fibre optic cable into multiple pairs. In the basement, there is the ONT+residential gateway device that converts the light impulses to Ethernet. On each floor each ethernet cable will be connected to a router, which will then distribute the internet connection through LAN or WIFI, as needed.



## Can fiber optic cables be split across three routers

---



### **A single fiber connection into two independent routers**

I'm planning to use a TP-Link MC220L transceiver to convert the optical signal to ethernet. This ethernet will then go through a 1 Gbit/s switch, and rout two ethernet cables to each floor. On each floor each

[Contact Us](#)

### **Fiber Optic Splitter: How It Works & Types Guide**

This guide demystifies fiber optic splitters, explaining their design, operating principles, types, key specifications, and real-world applications.

[Contact Us](#)



### **Splitting the Fiber: The Possibility and Implications of Dividing an**

In principle, an optical cable can be split, but it's not as simple as just cutting the cable and attaching multiple devices. There are two primary methods of splitting an optical cable: Passive

[Contact Us](#)

### **Unlock Network Potential: How to Split an Ethernet**

How a LAN Splitter Differs from an Ethernet Switch The functionality of an Ethernet switch and a LAN splitter is the fundamental difference between



**The Ethernet Cable Conundrum: Is it OK to Split an Ethernet Cable?**

An Ethernet cable is a type of twisted pair or fiber optic cable used for high-speed internet and network connections. It works by transmitting data between devices through a physical

[Contact Us](#)



**One fibre line into two separate networks? : r/HomeNetworking**

I assume this is more commercial grade hardware vs home stuff, but I guess I'll need something to split the inbound line into two firewalls/routers which I can then add my own wifi network/switches to

[Contact Us](#)



**networking**

We have 2 separate entities underneath our main company and I want to be able to completely split them out into two separate physical networks. Ideally I'd like to figure out how to have a topology

[Contact Us](#)





### Can you split a fiber optic cable?

Fiber optic cables are critical components of modern communication systems, transmitting data at high speeds and over long distances with minimal signal loss.

[Contact Us](#)



### Can You Splice Fiber Optic Cable?

Ever stared at a severed fiber optic cable and wondered if you could fix it yourself? Splicing fiber optic cable can seem like a daunting task, but with the

[Contact Us](#)



### Can You Split a Fiber Line?

Fiber optics, a cornerstone of modern telecommunications, relies on transmitting data through light signals within fiber optic cables. A common

[Contact Us](#)



### Is possible to split a fiber connection between two separate networks

These cameras would have their own switches in the wiring closets, but need a fiber connection back to our server room. He said that it is possible to split the fiber connection so the two

[Contact Us](#)





### Can You Split a Fiber Line?

A common question arises: can you split a fiber line? The answer is yes, and it's a practice widely used in the industry to distribute signals to multiple

[Contact Us](#)



### Can you split fiber cable?

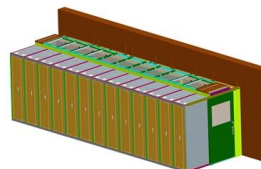
Conclusion Splitting fiber optic cables is a technical task that requires precision, the right tools, and a thorough understanding of fiber optic technology. By following the steps outlined above and adhering

[Contact Us](#)

### Can You Split LC Fiber Connections with MPO and

When configuring high-speed fiber optic networks, the process can get complex, especially if you're trying to minimize costs by avoiding additional equipment like

[Contact Us](#)



### Can you split fiber cable?

Splitting fiber optic cables is a delicate task that requires careful planning, precision, and the right tools. This article will guide you through the process of splitting fiber optic cables, highlighting the

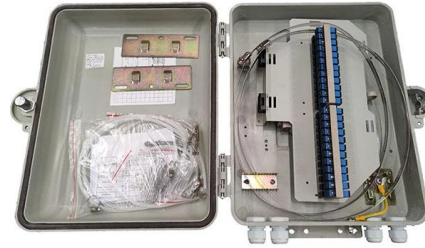
[Contact Us](#)



## Can I split one Ethernet line coming out of my wall into

I have absolutely no idea whether this line is coming from a switch or a router but I have been researching Ethernet splitter, routers, switches, hubs and haven't

[Contact Us](#)



## How can i split my single fiber optic connection and distribute that

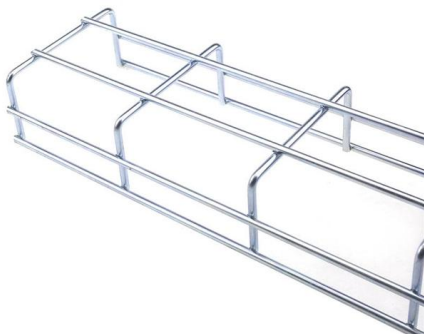
First, I can't be bothered watching a 35min video. Second, daisy chaining routers together will not equally split the speed between them. You would still need to set up QoS (or

[Contact Us](#)

## How to use multiple routers with fibre optics cable?

There is no need to get extra IP, it doesn't really solve some potential issues. The easiest way to do is, terminate your ISP connection to single router with at least 2 independent LAN interfaces, then you

[Contact Us](#)



## Can You Split Internet Connection? A Comprehensive Guide to

By connecting devices directly to the switch via Ethernet cables, you can share the internet connection without the need for a router. 3. Is it possible to split my internet connection

[Contact Us](#)



## How to split my incoming internet across rooms using

The incoming cable is hardwired to the living room Ethernet cable essentially making it one cable and the only live Ethernet socket in my home.

[Contact Us](#)



## How to Connect a Splitter to Another Splitter: A

Splitters are essential tools for distributing signals across multiple devices, whether in fiber optic networks, cable TV systems, or home

[Contact Us](#)

## How to Split Ethernet to Multiple Devices

If it seems like you're constantly searching for a spare Ethernet port on your router then you may be wondering how to split an Ethernet port. There are a

[Contact Us](#)



## Splitting single ISP fiber-connection into multiple routers

Hello everyone, I'm struggling with scenario where I need split single WAN connection (6 public addresses available (/29)) between 2 separate networks. Will be enough to simply buy L2

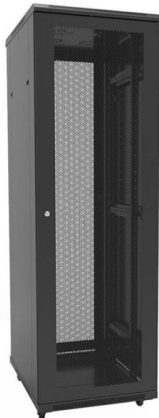
[Contact Us](#)



## Can You Split LC Fiber Connections with MPO and

Fiber optic connections can't be shared across multiple devices without the proper networking equipment. If you're dealing with Ethernet over fiber, a switch is

[Contact Us](#)



## Broadband

In telecommunications, broadband or high speed is the wide- bandwidth data transmission that uses signals at a wide spread of frequencies or several different

[Contact Us](#)

## Splitting ISP Signal with Two Separate Home Routers: A

Learn how to split your ISP signal and use two separate routers for better network management and performance. Discover the benefits and

[Contact Us](#)



## Splitting single ISP fiber-connection into multiple routers

I'm struggling with scenario where I need split single WAN connection (6 public addresses available (/29)) between 2 separate networks. Will be enough to simply buy L2 switch and split the

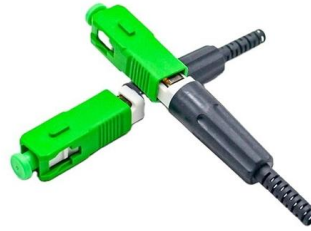
[Contact Us](#)



## Fiber Optic Splitter: How It Works & Types Guide

This guide demystifies fiber optic splitters, explaining their design, operating principles, types, key specifications, and real-world applications.

[Contact Us](#)



## Contact Us

---

For datasheets, pricing, or custom fiber access solutions, please visit:  
<https://frindel.es>