

Cable Tray Concealment Verification Form





Cable Tray Concealment Verification Form



Codes and Standards , Cable Tray Institute

The Cable Tray Institute is making available the current edition of this practical guide for the proper installation of aluminum or steel cable tray systems. These guidelines will be useful to engineers,

[Contact Us](#)

Conduit and Cable Tray Inspection Checklist

The document is a checklist for inspecting conduit, trunking, and cable tray installation. It lists 12 items to check, including verifying materials and ensuring

[Contact Us](#)



Cable Tray & Trunking Installation Checklist

The document is a checklist for installing cable tray and trunking that includes 10 items to verify, such as verifying the materials and sizes match approved

[Contact Us](#)

Cable Tray Inspection Checklist , PDF

This document is a checklist for the inspection of cable trays used in a project. It includes various criteria such as the make, type, size, and thickness of the cable

[Contact Us](#)



METHOD STATEMENT FOR Cable tray and trunking system installation

Cable tray and trunking system relevant to this particular section of works will be checked and verified that these are correct type.

[Contact Us](#)



Best Practice Guide to Cable Ladder and Cable Tray Systems

This guide covers cable ladder systems, cable tray systems, channel support systems and associated supports intended for the support and accommodation of cables and possibly other electrical

[Contact Us](#)

Pre-Terminated Patch Panel

- Standard 19" width
- Max 144 fibers in 1U
- MPO/Fusion Dual-Purpose



Removable Cable Management Tray



Transparent Front Cover



High Quality Matte Coated Steel

QA/QC Inspection Checklist for Cable Trays Ladders etc

QA/QC Inspection Checklist for Cable Trays Ladders etc by HSE DOCUMENTS on September 16, 2020 in Downloads

[Contact Us](#)



METHOD STATEMENT FOR ELECTRICAL CABLE TRAY INSTALLATION

1.0 PURPOSE The purpose of this Method Statement is to define the general sequence of events, interfaces and responsibilities relating to Cable Tray for the commercial buildings, plants and

[Contact Us](#)



GUIDE CABLE TRAYS TECHNICAL

NEMA VE 1-2017 Specifies requirements for metal cable trays and associated fittings designed for use in accordance with the rules of Canadian Electrical Code, Part I and the National Electrical Code®

[Contact Us](#)

QA/QC Inspection Checklist for Cable Trays Ladders etc

QA/QC INSPECTION CHECK LIST FOR CABLE TRAYS,TRUNKING,LADDERS & ACCESSORIES The attached editable checklist format let you know about your QA/QC

[Contact Us](#)



What Are The Standards For Cable Tray Installation?

The strength of the cable tray, the cable tray loading, and the spacing of the supports all factor into this decision. According to the (NEC®), the most important aspect of the installation is to

[Contact Us](#)



Inspection Test Plan for Cable Tray and Accessories Installation

This article is about ITP (Inspection Test Plan) Plan for Cable Tray and Accessories Installation. Inspection Test Plan for Cable Tray and Accessories Installation Description of inspection/test and

[Contact Us](#)



Cable Tray Installation Procedure Guide

CABLE TRAY INSTALLATION PROCEDURE - Free download as Word Doc (.doc / .docx), PDF File (.pdf), Text File (.txt) or read online for free. This document

[Contact Us](#)

Cable Routing / Trench Layouts - Comprehensive I&C

Cable Routing / Trench Layouts -- Final Self-Verification Checklist Use this before the first formal review (internal/external). Applies to above-ground tray/ladder

[Contact Us](#)



Cable Inspection Checklist: High voltage, Electrical,

This cable inspection checklist template is free to use and edit, and makes cable inspections quicker, easier and more compliant.

[Contact Us](#)



Cable Tray Inspection & Testing Format / Sample Form

Cable Tray Inspection & Testing Format / Sample Form Templates, Test Reports & Forms

[Contact Us](#)



Method Statement For Cable Pulling and Final Electrical

This procedure covers the method for all the cable pulling, electrical connections and terminations for cables running on cable ladders and cable trays. Electrical

[Contact Us](#)

METHOD STATEMENT FOR CABLE TRAY INSTALLATION

7.1.21 Cable tray run is Substation or PIB all cable trays shall have a minimum of 200mm clear space above the tray. 7.1.22 The elevation of the bottom of the lowest cable tray shall be minimum of 2.67M

[Contact Us](#)



Instrumentation Cable Tray Installation Checklist and

This procedure includes pre-installation preparation, material verification, layout inspection, and final testing, ensuring reliable and efficient

[Contact Us](#)



Fireproof Cable Trays Acceptance: Standards for Safety

Ensure safety and durability with this comprehensive guide to fireproof cable trays acceptance. Learn coating processes, inspection standards, and

[Contact Us](#)



Conduit and Cable Tray Inspection Checklist

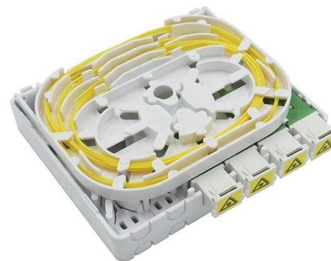
The document is a checklist for inspecting conduit, trunking, and cable tray

[Contact Us](#)

Inspection Test Plan for Cable Tray and Accessories Installation

This article is about ITP (Inspection Test Plan) Plan for Cable Tray and Accessories Installation.

[Contact Us](#)



Cable Tray and Conduit Installation Method Statement

Step-by-step cable tray and conduit installation method with safety, quality and inspection procedures as per IEEE standards.

[Contact Us](#)



Method Statement installation of Cable Trays and Ladders

This method statement covers the site installation of the cable tray & ladders and the requirements of checks to be carried out.

[Contact Us](#)



Cable Tray Installation Checklists

Get the Editable Installation Checklists for Cable Trays, Ladders & Conduits with the Full ITP Template to use them at construction sites. Purchase these complete

[Contact Us](#)

E

Status of Inspection We have carried out all necessary inspections and verify that the above items/activities conform to the contract specifications/document. Checked By Main-Contractor



[Contact Us](#)



Cable Tray Systems: Requirements and Best Practices

Comprehensive guide to cable tray systems requirements: tray types, materials, loading, supports, bonding, routing, and best practices for safe electrical cable management.

[Contact Us](#)

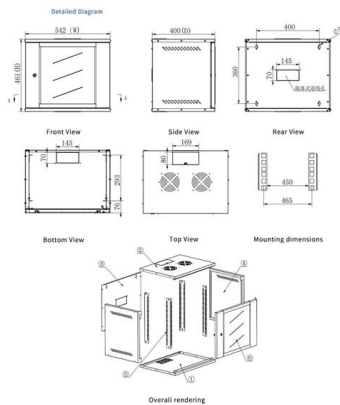
Cable Tray Technical Guide A practical



guide to product selection and

Cable Tray Technical Guide A practical guide to product selection and installation This guide for engineers and installers has been developed by ABB as a practical reference regarding cable tray

[Contact Us](#)



Cable Tray Installation Method Statement

Below is the detailed cable tray installation method statement not only for cable tray but also applicable for GI ladder and trunking for indoor and outdoor applications

[Contact Us](#)

Contact Us

For datasheets, pricing, or custom fiber access solutions, please visit:
<https://frindel.es>