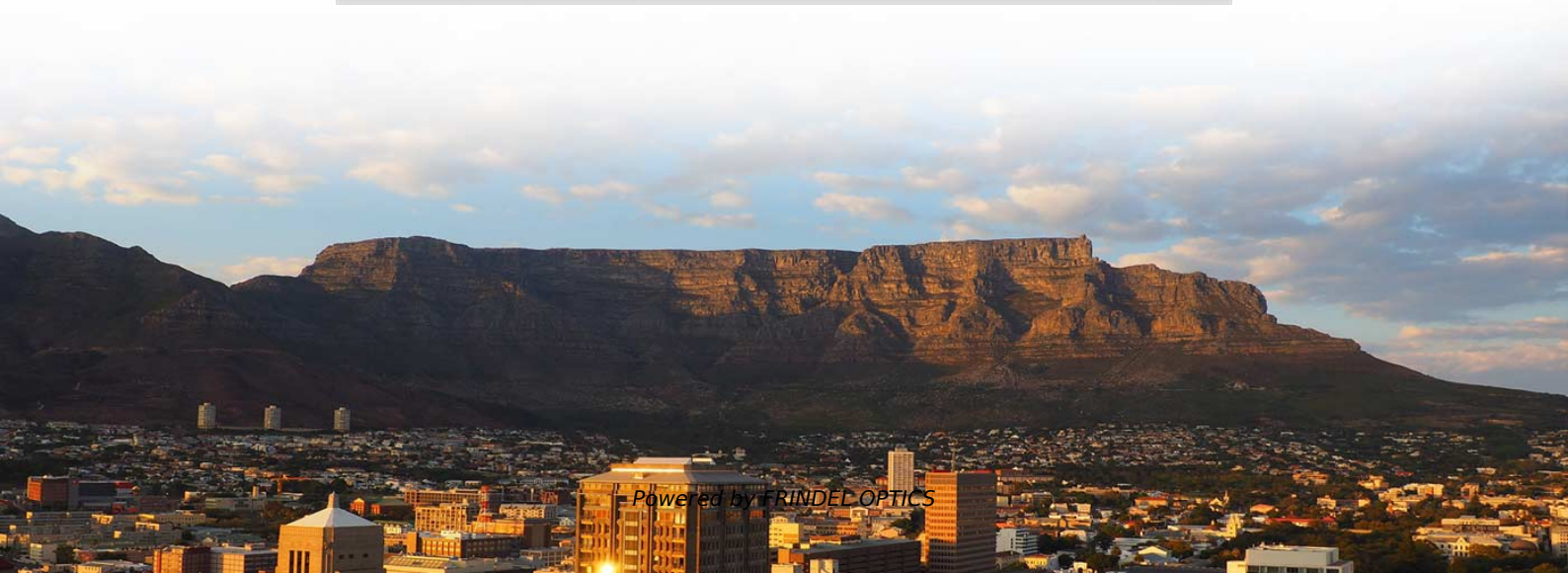


Burundi Electrical Distribution Box Copper Busbar





Burundi Electrical Distribution Box Copper Busbar



Copper Busbar: The Ultimate Guide to Applications,

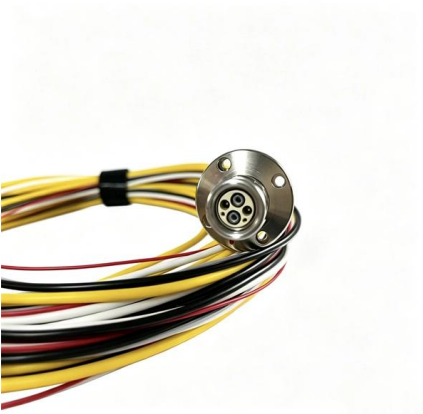
Introduction In the world of electrical engineering and power distribution, copper busbars play a crucial role. These conductive bars, widely

[Contact Us](#)

Understanding Busbars: The Backbone Of Electrical Power Distribution

Busbars are critical in electrical power distribution for several reasons. First, they provide a streamlined and efficient way to distribute electricity across multiple circuits, reducing the need for complex wiring

[Contact Us](#)



Busbars , Busbars manufacturers & supplier , Eaton

Power Connections Busbars Busbars (bus bars) are integral to power distribution and serve numerous industries including automotive, industrial, and aerospace.

[Contact Us](#)

Busbars , Metelec

Metelec manufacture a range of Busbars including Aluminium, Flexible Connectors & Maxiflex

[Contact Us](#)



Focus creates quality products



Copper Busbar Supplier

RHI is a leading supplier of high-quality copper busbars, designed for efficient electrical distribution in various industrial applications. Our copper busbars

[Contact Us](#)

BUSBAR DISTRIBUTION BOX

Material of Busbar. == Electrolytic Grade Aluminum grade 19501 as per IS 5082. == Electrolytic Grade Copper with Purity of 99.5%

[Contact Us](#)



10kV Copper Busbar Cable Branch Box

The 10kV copper busbar cable branching box is a connection device in high-voltage distribution systems that branches a main cable into multiple circuits.

[Contact Us](#)

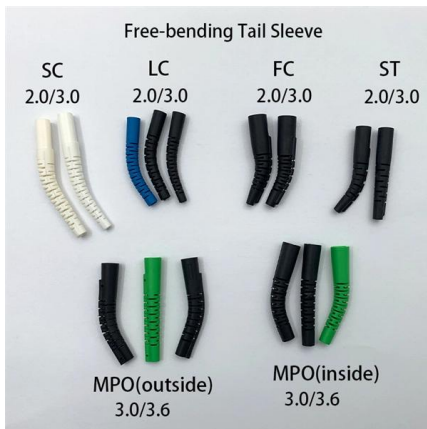




What is a Busbar, and Why Does it Matter in Your

Struggling with complex, messy wiring in your power distribution panels? This often leads to installation headaches and potential points of failure. Busbars offer a

[Contact Us](#)



Power distribution box-GRL

Power Distribution Box manufacturer The power distribution box is an essential equipment for the power system. It is a device for concentrating, switching and

[Contact Us](#)

Busbars , Electrical Busbars & Copper Busbars , RS

Electrical busbars come in various forms such as solid bars, flat strips, or insulated combs. They are typically made from copper, brass, or aluminium. The primary function of a busbar is to carry

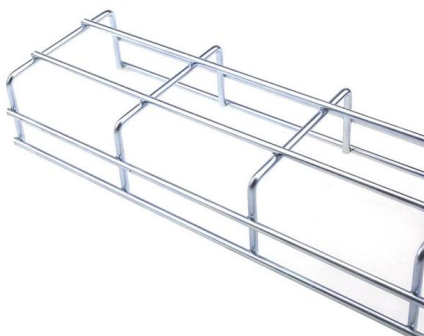
[Contact Us](#)



Burundi Busbar Market (2025-2031) , Trends, Outlook & Forecast

Busbars are essential components in electrical distribution systems, and as Burundi invests in power generation and distribution, the market for busbars is expected to expand.

[Contact Us](#)





What is a Busbar? A Detailed Guide

A busbar is a metallic strip or bar used in electrical power distribution, installed inside switchgear, circuit boards, and busway boxes to directly distribute

[Contact Us](#)



What Are Electrical Busbars? Types, Components, and their Applications

Learn what electrical busbars are, their types, and components, and why they are essential for efficient power distribution in modern systems.

[Contact Us](#)

Busbars 101: A Comprehensive Guide

Introduction to Busbars in Electrical Systems
Busbars are essential components in electrical power systems, designed to distribute power efficiently within switchgear, panel boards, and distribution

[Contact Us](#)



Electrical wiring and busbar arrangement of distribution box

The busbar material is copper (Cu), a single right angle copper plate, with a section of L-type 50 * 30 * 5mm. The protection requirements of the distribution box; the distribution box shall be able to operate

[Contact Us](#)





What Is a Bus Bar in Electrical Engineering? Full Guide

What Is a Bus Bar in Electrical Systems? A bus bar (also spelled busbar) is a metallic strip or bar used in electrical power distribution to conduct electricity

[Contact Us](#)



Bespoke Busbar Systems

When package substations are required, the transformer within can be connected directly to the main LV switchgear via high-powered busbar systems

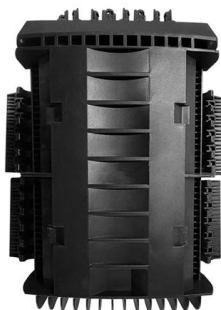
[Contact Us](#)



What Is A Busbar - Power Distribution In Electrical

A busbar is a rigid conductor, typically made of copper or aluminum, that serves as a common connection point for multiple circuits within electrical enclosures. It

[Contact Us](#)



Why Busbar Power is the Ideal Power Distribution

Busbar is better equipped to handle higher amperages For power generation and storage applications that require more than 800A, copper busbar power panels

[Contact Us](#)

STARLINE Copper Busbar Distribution



Chamber Manufacturers , Busbar

Hence, Copper Busbars used within installation for distributing electrical current from a supply point to a number of output circuits becomes energy efficient as well. Let's check some of the amazing energy

[Contact Us](#)



BUSBAR DISTRIBUTION BOX

Boxxmann Distribution and Busbar boxes are 100% Rust proof 100% Shock proof 100% Weather proof Pilferage proof Fire retardant - class FV-0 as per IS:11731 or V-0 as per UL94 Rotproof & termite

[Contact Us](#)

**Busbar systems in electrical distribution:
An in-depth**

Conclusion Busbar systems are essential in electrical infrastructure, providing safe, efficient, and scalable solutions for power distribution. With types

[Contact Us](#)



**STARLINE Copper Busbar Distribution
Chamber Manufacturers**

With a team of highly trained engineers and their expertise, MOTI Enterprise is proud to offer the modern day Copper Busbar Distribution Chamber System specially designed to last longer and perform

[Contact Us](#)





Buy In Bulk Distribution Box With Busbar Tinned Copper Connection

The robustness of this distribution box with busbars ensures that the contents inside are protected and the electrical system remains functional even in challenging environments.

[Contact Us](#)



Contact Us

For datasheets, pricing, or custom fiber access solutions, please visit:
<https://frindel.es>