

# **Botswana Export Integrated Wiring Boxes and Cabinets with Anti-Certificate Price CIF**





## Botswana Export Integrated Wiring Boxes and Cabinets with Anti-C

---



### Electricity Generation & Distribution

1.3 Distribution of Electricity The section combines the local generation and imported electricity to come up with electricity that is available for distribution in Botswana. This does not take into account

[Contact Us](#)

### The best 10 Electrical Suppliers, Equipment & Wholesalers in

Find Electrical Suppliers, Equipment & Wholesalers in Botswana and get directions and maps for local businesses in Africa. List of best Electrical Suppliers, Equipment & Wholesalers in Botswana of 2026.

[Contact Us](#)



### Securing Botswana with Excellence

Welcome to Aisi Integrated Security Solutions, a leading provider of comprehensive security solutions in Botswana, driven by a commitment to excellence and a vision of pan-African growth. Owned by

[Contact Us](#)

### ExportHub: Botswana B2B Marketplace & Botswanan Manufacturers

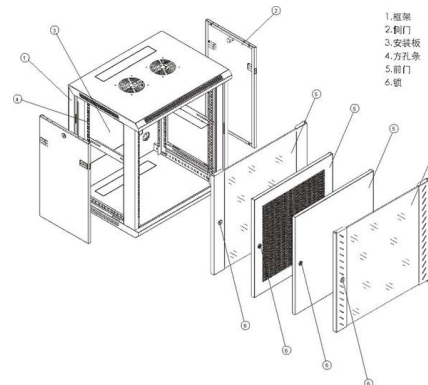
ExportHub is a leading Botswana B2B platform that is dedicated to helping global B2B buyers find leading suppliers and manufacturers from Botswana. With the help of our services, buyers can easily



### Botswana Wiring Devices Market (2025-2031) , Forecast & Share

Our analysts track relevant industries related to the Botswana Wiring Devices Market, allowing our clients with actionable intelligence and reliable forecasts tailored to emerging regional needs.

[Contact Us](#)



### BOTSWANA STANDARDS (COMPULSORY STANDARDS)

The Botswana SCSR procedure includes provision of following three routes of shipment certification subject to the frequency of shipments and the type of Exporter.

[Contact Us](#)

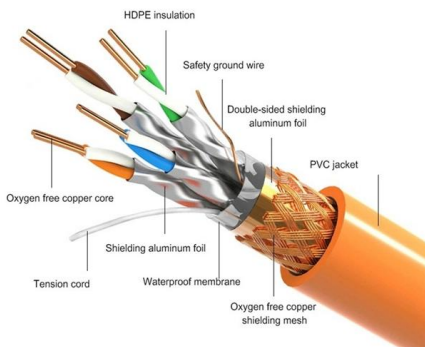


### Botswana

Intertek is accredited by BOBS to issue these certificates. Manufacturers and exporters shipping to Botswana can contact the nearest Intertek office for information and to apply for CoCs,

[Contact Us](#)

#### PRODUCT DETAILS



### Kitchen and Wardrobes Botswana , Gaborone West Ext



Kitchen and Wardrobes Botswana, Gaborone  
West Ext 9. 6,243 likes. WE ARE MANUFACTURES  
AND DESIGNERS OF ALL CUSTOM MADE

[Contact Us](#)



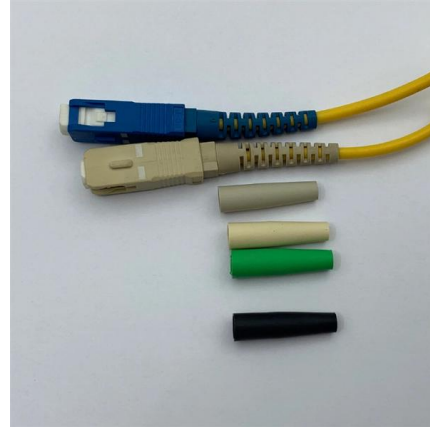
### **Botswana Electrical Enclosure Manufacturers , Custom Electrical**

Precision-Built Electrical Enclosures/Cabinets:  
Expert Design, Swift Delivery, Great Value Read  
more

[Contact Us](#)



### **The best 10 Electrical Suppliers, Equipment**



### **Racking and Shelving**

Lockers and Cabinets Gondola Shelving and Shop  
Fittings We are the largest distributor of display  
equipment, accessories and Gondola Shelving in  
Botswana.

[Contact Us](#)



### **BPG Electrical Your Reliable Electrical Hardware**

To establish a reliable world class electrical  
equipment store that will make available a wide  
range of electrical equipment from top electrical  
manufacturing brands at affordable prices in  
Gaborone and

[Contact Us](#)



## & Wholesalers in Botswana

Find Electrical Suppliers, Equipment & Wholesalers in Botswana and get directions and maps for local businesses in Africa. List of best Electrical Suppliers, Equipment & Wholesalers in Botswana of 2026.

[Contact Us](#)



### About - Sharps Electrical

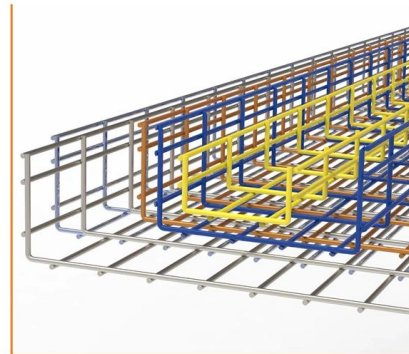
Sharps Electrical (Pty) Ltd is an independent organization and is registered with the Public Procurement and Asset Disposal Board of Botswana, BOCCIM the

[Contact Us](#)

### Electrical Boxes Outdoor Stainless Steel Electrical Botswana , Ubuy

Introducing our Electrical Boxes Outdoor Stainless Steel Electrical Enclosure Box, the perfect solution for all your indoor and outdoor electronic projects. With its durable construction and weatherproof

[Contact Us](#)



### Sharps Electrical - Leaders in Quality and Service

Sharps Electrical (Pty) Ltd located at Plot No. 1236 Hailie Selassie Road, Gaborone, is the leading electrical engineering contractor and supplier of electrical products and equipment in Botswana.

[Contact Us](#)



## Aluminium Box

supply High, Medium and Low Voltage cable accessories in line with all set high quality standards in Botswana.

[Contact Us](#)



## Tendi Security Group - Safes

Tendi Security Group is involved in the sales and support for burglary safes, vaults, strong room doors, access control booths, Anti-Bandit doors, locks and keys. Hence a dedicated team of well

[Contact Us](#)



## CERTIFICATE OF CONFORMITY TRADING WITH BOTSWANA

The Certificate of Compliance is required to ensure smooth Customs clearance of shipments in Botswana. The Certificate of Compliance confirms that the products comply with the relevant

[Contact Us](#)



## INTERNATIONAL MERCHANDISE TRADE STATISTICS

Executive Summary This International Merchandise Trade Statistics (IMTS) monthly digest provides a summary of trade statistics on Botswana's total imports and exports of goods for April 2024.

[Contact Us](#)





## Namunanee Outdoor Electrical Box

Shop Namunanee Outdoor Electrical Box - IP65 Waterproof, Wall/Pole Mounted, 17.7 x 13.8 x 7.9 online at a best price in Botswana. B0CSKQJ654

[Contact Us](#)



## BroadTech Distribution

With our head office in Gaborone, we service resellers ranging from micro enterprises to large corporations. Combined with a global product reach and local

[Contact Us](#)

## Steel Cabinets & Lockers

JOHN F MARSHALL BOTSWANA (PTY) LTD Plot 22074 Mahuditlhake Rd, G/West Industrial P. O Box 602069 Gaborone Botswana 3918640 , 3918628 , 71318263 ,

[Contact Us](#)



## Botswana Wiring Devices Market (2025-2031) , Forecast & Share

6Wresearch actively monitors the Botswana Wiring Devices Market and publishes its comprehensive annual report, highlighting emerging trends, growth drivers, revenue analysis, and forecast outlook.

[Contact Us](#)



## Botswana Terminal Boxes & PassThrough Cabinets Market (2025)

Botswana Terminal Boxes & PassThrough Cabinets Market (2025-2031) , Value, Challenges, Industry, Analysis, Pricing Analysis, Segments, Growth, Strategic Insights, Outlook, Restraints, Drivers,

[Contact Us](#)



## Tendi Safes and Locks , Gaborone

It's that time of the year. . Is your security equipment serviced and ready for the busy season? . Tendi Safes and Locks Team is ready to assist you

[Contact Us](#)



## Botswana Standards (Compulsory Standards)

Exports to Botswana must comply with the requirements of the Botswana Standards (Compulsory Standards) Regulations (SCSR) in order for the goods to clear

[Contact Us](#)



## Wiring Work In Botswana

As one of the best Wiring Work Manufacturers in Botswana, we are trusted by people not only within the boundaries but even beyond that. Our custom-based products are able to match up your distinct

[Contact Us](#)



## Contact Us

---

For datasheets, pricing, or custom fiber access solutions, please visit:  
<https://frindel.es>