

Bhutan s 405nm laser diode origin





Bhutan s 405nm laser diode origin



405 nm Laser (Diode; Free-space)

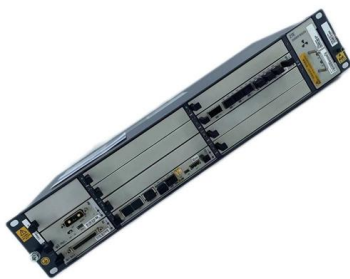
405 nm diode lasers are popular in a variety of fluorescence applications. Many organic materials have strong fluorescence at this excitation wavelength. Other applications include UV curing and

[Contact Us](#)

405 nm SLM Laser (VBG Diode; Free-space)

Non-circularized beam of a 0405 nm direct diode laser. 1 Measured with a scanning Fabry-Perot interferometer having 7.5 Mhz resolution, with scanning frequency of about 10 Hz.

[Contact Us](#)



405nm Laser Diodes

The 405nm wavelength is a result of the specialty gain medium semiconductor materials used in the wafer growth stage of these lasers. The materials include gallium nitride or indium gallium nitride.

[Contact Us](#)

405nm-30W_Products_Diode Laser_Products_BWT

Soldering point should be close to the middle of the pins. Soldering temperature should be lower than 260° and time shorter than 10 second. -
Make sure the



405nm Laser Diodes for Medical Bio & Industrial , Shop

Our Violet 405nm laser diodes, based on GaN/InGaN technology, deliver near- UV performance for cutting-edge biomedical, optical, and industrial applications,

[Contact Us](#)



405nm Laser Diode, 120mW Output Power from CNI Laser

CNI Laser Quick View Zoom In ~ Spec's and Photo Product Description: 405nm, 120mW Laser Diode Module Overview: These 405nm blue laser diodes are

[Contact Us](#)



405nm Laser Diode, 500mW, HL40053MG by USHIO

Product Overview 405nm, 500mW Violet Diode Laser This 405nm laser diode delivers up to 500mW output power. Applications include biological and medical

[Contact Us](#)





Diode Laser_Products_BWT

Based on industrial accumulation for years, BWT has provided clients with customized solutions for laser systems. Diode laser subsystem is available for

[Contact Us](#)



D405-120 US-Lasers Inc. , Laser Diodes, Modules

Buy now, ships today. D405-120 - Laser Diode 405nm 120mW 4.8V 150mA Radial, Can, 3 Lead (5.6mm, TO-18) from US-Lasers Inc.. View datasheets, pricing and

[Contact Us](#)

jolooyo

Hier sollte eine Beschreibung angezeigt werden, diese Seite lässt dies jedoch nicht zu.

[Contact Us](#)



405 nm SLM Laser

Description High-performance 405 nm single longitudinal mode (SLM) laser, designed with precision for applications in Raman scattering and fluorescence

[Contact Us](#)





405nm Fiber Coupled Diode Laser Subsystem

405 semiconductor laser subsystem can provide power output from 12W to 50W, widely used in LDI/maskless lithography and other applications; The system is fully designed as a 400um pluggable

[Contact Us](#)



1PCS Second-hand Nichia 405nm 700mW NDV7112 Blue-Violet Laser Diode

Find many great new & used options and get the best deals for 1PCS Second-hand Nichia 405nm 700mW NDV7112 Blue-Violet Laser Diode at the best online prices at eBay! Free shipping for many

[Contact Us](#)

HL40213MG

HL40213MG is a high-performance violet laser diode developed by Ushio. Operating at a wavelength of 405 nm, it delivers an optical output power of 400 mW (CW),

[Contact Us](#)



405 nm SLM Laser (VBG Diode; MM Fiber)

Single-frequency (SLM) 405 nm lasers are widely used in compact Raman spectrometers. Small footprint and +5VDC (USB typical) operating voltage is exactly what's needed for handheld portable

[Contact Us](#)

405nm Laser Diode



405nm Laser Diode Features Output Power:
140mW (CW) Efficient Quantum Well Structure
Standard TO-18 Package

[Contact Us](#)



405nm 150mW Laser Diode, HL40041MG by USHIO

Product Overview 405nm, 150mW Violet Diode Laser This single mode 405nm laser diode delivers up to 150mW output power. The industry standard 5.6mm TO-can

[Contact Us](#)

405nm Laser Diodes Market, Size, Trends and Forecast to 2034

Global Nm Laser Diodes Market Overview 405nm Laser Diodes Market was valued at US\$ 113.1 billion in 2024 and is projected to grow at a CAGR of 6.5% to reach US\$ 201.3 billion by 2034. 405nm

[Contact Us](#)



405 nm SLM Laser

405 nm single longitudinal mode (SLM) diode laser, purpose-built for the demanding realm of quantum cryptography. Its exceptional coherence and minimal linewidth

[Contact Us](#)

405nm Laser Diode



405nm Laser Diode Features Output Power:
50mW (CW) Efficient Quantum Well Structure
Standard TO-18 Package Absolute Maximum
Ratings

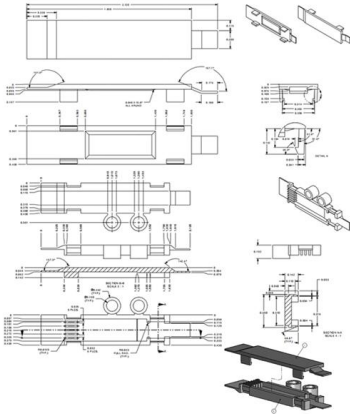
[Contact Us](#)



Thorlabs, Inc.

Hier sollte eine Beschreibung angezeigt werden, diese Seite lässt dies jedoch nicht zu.

[Contact Us](#)



405 nm UV laser diode , Download Scientific Diagram

Plasmonic-waveguide lasers, which exhibit sub-diffraction limit lasing and light propagation, are promising for the next-generation of nanophotonic devices in

[Contact Us](#)



High Power 976 nm Spectrum Stabilized Multi-Mode Pump Laser

405 nm Diode Lasers 14-pin BF, D-type OEM Module & Turn-key Systems RPMC's proprietary Single-Mode Spectrum Stabilized Laser features high output power with ultra-narrow spectral bandwidth

[Contact Us](#)



405nm BLUE VIOLET

Fully-Customizable Diode Laser Modules Diode Laser Concepts, Inc. has added 405nm blue-violet diode laser modules to its standard product offerings. These 405nm modules are available in all of

[Contact Us](#)



405 nm Collimated Diode Laser System

405 nm Violet Collimated Diode Laser System The LRD-0405 Series of Collimated Diode (Semiconductor) Lasers are ideal for applications requiring a short

[Contact Us](#)



405 nm SLM Laser

Description State-of-the-art 405 nm polarization-maintaining (PM) fiber-coupled diode laser, meticulously engineered to meet the standards of quantum cryptography.

[Contact Us](#)



UV laser Violet laser Ushio laser diode HL40213MG 405nm 400mW

This product (without violet laser diode) contains gallium arsenide (GaAs), which may seriously endanger your health even at very low doses. Please avoid treatment which may create GaAs

[Contact Us](#)



405nm Laser Diode - BeamQ Laser

405nm laser diodes are based on a heterostructure with either gallium nitride or indium gallium nitride quantum wells. As a semiconductor laser diode (not DPSS)

[Contact Us](#)



RLTMDL-405 1-500 mW

Violet diode laser module at 405nm is made features of ultra compact, long lifetime, low cost and easy operating, which is used in measurement, communication, spectrum analysis, etc.

[Contact Us](#)

Contact Us

For datasheets, pricing, or custom fiber access solutions, please visit:
<https://frindel.es>