

Base Station Power Solutions Low Loss for FTTR





Base Station Power Solutions Low Loss for FTTR



LoRaWAN Base Station Improvement for Better

Low Power Wide Area Network (LPWAN) technologies provide long-range and low power consumption for many battery-powered devices used in

[Contact Us](#)

Power Management of Base Transceiver Stations for

In this paper the power consumption of base stations for mobile WiMAX, fixed WiMAX and UMTS is modelled. This power consumption is

[Contact Us](#)



Improved Model of Base Station Power System for the

However, on one hand, optimization of base station operating modes have limited ability to reduce energy demands. On the other hand, it imposes

[Contact Us](#)



Recurrent Neural Network-based Base Transceiver Station Power

In mobile telecom networks, Base Transceiver Station (BTS) is a key infrastructure that connects customers with the mobile network. BTSs are geographically scat.



Soetek's Highly Integrated Telecom Power System

In contrast, Soetek's outdoor power base station solution reduces the installation and debugging time by nearly 40% per station, while failure rates drop

[Contact Us](#)

Final draft of deliverable D.WG3-02-Smart Energy Saving of 5G Base Station

Change Log This document contains Version 1.0 of the ITU-T Technical Report on "Smart Energy Saving of 5G Base Station: Based on AI and other emerging technologies to forecast and optimize

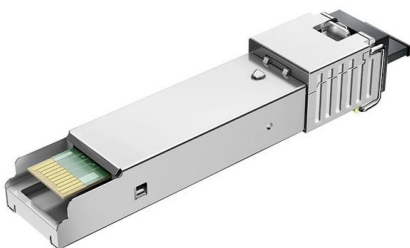
[Contact Us](#)



Power Supply Solutions for Wireless Base Stations Applications

Luckily, MORNSUN has a series of power solutions designed to provide state-of-the-art reliability while also curbing any unnecessary costs related to their installation, application, and maintenance of

[Contact Us](#)





White Paper

e country. Motorola has worked with Dantherm Power to develop a hydrogen fuel cell powered TETRA base station to be deployed in over 100 locations in Denmark. The fuel cell will power the TETRA

[Contact Us](#)



TELECOM BASE STATION POWER SUPPLY , FTMRS SOLAR

Base station power cabinet power supply analysis What is a low profile power supply? Low profile power supply design usually includes printed circuit board (planar) power transformers and output inductors

[Contact Us](#)



BASE STATION POWER SUPPLY INTRODUCTION STANDARDS

Base station power supply form What is a 3G base station converter? In a 3G Base Station application, two converters are used to provide the +27V distribution bus voltage during normal conditions and

[Contact Us](#)



Battery Storage System for Telecom Base Stations:

Ready to empower your telecom base stations with cutting-edge power solutions? Contact NextG Power to explore our Battery Storage System for Telecom Base

[Contact Us](#)





A Voltage-Level Optimization Method for DC Remote

Common internal power supply structures of base stations. High voltage direct current remote power supply structure for base stations.

[Contact Us](#)



Communications System Power Supply Designs

A power efficient design is required that supplies both the higher voltage analog circuits and multiple tightly regulated low-voltage supplies for the high-speed digital communications ASICs and FPGAs.

[Contact Us](#)

Optimized Power System Planning for Base Transceiver Station (BTS)

This paper presents three such alternate frameworks for power supply to the BTS in case of a power failure; to supply uninterrupted and continuous power to the sites, and suggests that

[Contact Us](#)



SC connector X 12

GSTP-FTTR Use cases and requirements of fibre-to-the-room (FTTR)

Technical Paper GSTP-FTTR "Use case and requirements of fibre-to-the-Room (FTTR)" collects the use cases (including in-home Wi-Fi backhauling, broadband deployment for dense apartment building,

[Contact Us](#)



Reliable Power Supply Solutions for Base Stations , Amphenol LTW

Discover high-quality connectors for base station power supplies by Amphenol LTW, ensuring durability and reliable performance.

[Contact Us](#)



Signal Analysis in 5G NR Base Station Transmitters: Part 1

Throughout this blog series, we'll discuss the key conducted and radiated transmitter tests for frequency range (FR)1 and FR2 base stations, the

[Contact Us](#)

Strategy for Power Consumption Management at Base

The powers saving strategy are power control, antenna adaptation and discrete transmission. This strategy are used to reduce power consumption in base

[Contact Us](#)



Comprehensive review of energy storage systems technologies,

Energy storage is one of the hot points of research in electrical power engineering as it is essential in power systems. It can improve power system s

[Contact Us](#)





Digital Power Solution Optimizes Base-Station Operation

Base-station power designs must make trade-offs among size, efficiency, and performance. New power solutions based on digital telemetry are

[Contact Us](#)



A 28-GHz Low-Loss AlGaN/GaN HEMT for TX/RX Switches in 5G Base Stations

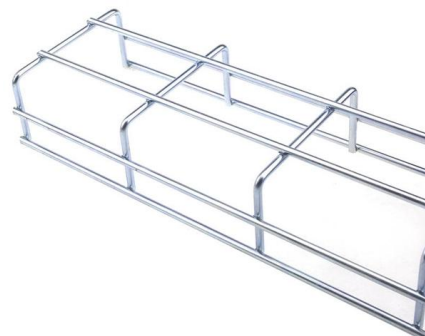
The GaN HEMT is mainly used in the front-end module (FEM) of a 5G base station. The FEM comprises a multistage power amplifier, low-noise amplifiers and a low-loss Tx)/Rx switch, 23

[Contact Us](#)

Reliable Base Station Power Solutions for Telecom Networks

Explore base station power solutions ensuring reliable, efficient, and cost-effective backup for telecom towers and continuous connectivity.

[Contact Us](#)



Renewable Energy Sources for Power Supply of Base Station Sites

Abstract -- An overview of research activity in the area of powering base station sites by means of renewable energy sources is given. It is shown that mobile network operators express significant

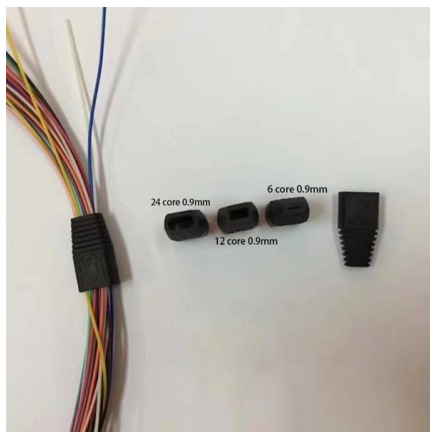
[Contact Us](#)



5G base station architecture: The potential

Today this is one of the largest markets for GaN transistors, and will hold that position for the next several years. I fully expect that eGaN technology

[Contact Us](#)



A Voltage-Level Optimization Method for DC Remote

Unlike the concentrated load in urban area base stations, the strong dispersion of loads in suburban or highway base stations poses significant

[Contact Us](#)

The Road to Robust 5G: A Deep Dive into Base Station Power Supply

Leveraging our market-proven product performance and system adaptability, we have built a product line that covers all power supply scenarios for base stations, providing solid support for base station



[Contact Us](#)

Techniques for Minimizing Power Consumption of Base

Heterogeneous network (HetNet) deployment of a large number of low-power small base stations (SBS) is expected to meet up coverage and capacity

[Contact Us](#)





Signal processing in an LTE base station.

Download scientific diagram , Signal processing in an LTE base station. from publication: Fronthaul evolution: From CPRI to Ethernet , It is proposed that using

[Contact Us](#)



Contact Us

For datasheets, pricing, or custom fiber access solutions, please visit:
<https://frindel.es>