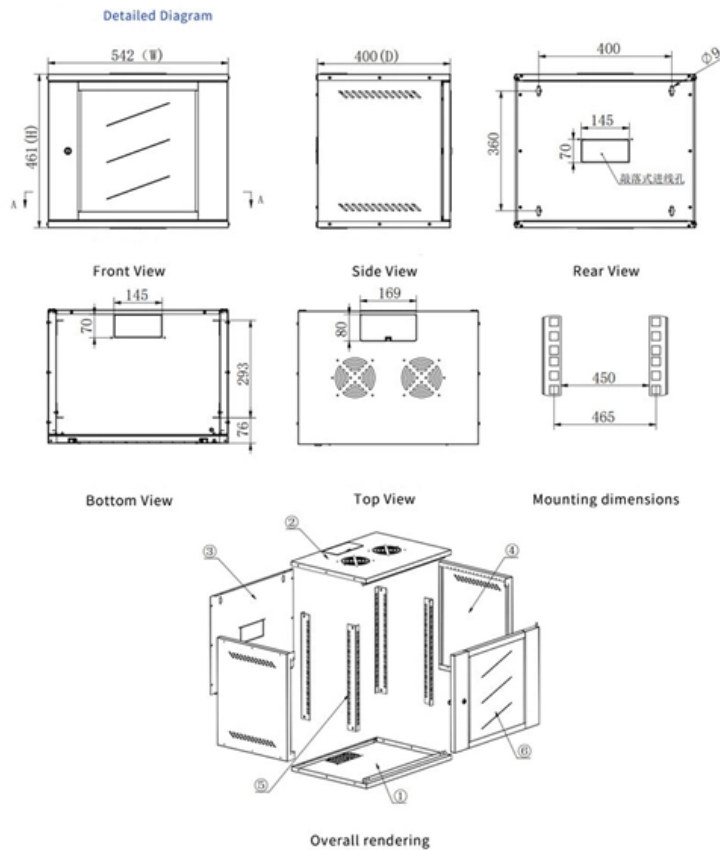


Barbados Power Distribution Automation Low-Noise Solution





Barbados Power Distribution Automation Low-Noise Solution



Barbados: The electricity network and outlets ,, barbados

The electricity network in Barbados is reliable and splendidly constructed. If you are not from the US you will usually need a 2-pin socket adapter for the standard U.S. electrical system.

[Contact Us](#)

Barbados Light & Power Selects Landis+Gyr for

Barbados Light & Power is installing E350 FOCUS AX-SD and E650 S4x polyphase advanced meters, and plans to add distribution automation devices, all operating

[Contact Us](#)



Barbados Voltage , Electricity Supply and Power Quality

Barbados, a small Caribbean island nation located in the easternmost part of the Lesser Antilles, has made great strides in improving its electricity

[Contact Us](#)

Barbados Light & Power Selects Landis+Gyr for Advanced Metering

A full-service generation and distribution utility for the independent island state, Barbados Light & Power is deploying Landis+Gyr's Gridstream® AMI solution and meter data management.



Electrical Panel Manufacturers In Barbados, Power Control Panel, HT

Brilltech (Delhi) reputed Electrical Panel manufacturers India, Power Control Panel suppliers exporters offer HT Panel, LT Distribution Panel, Fire Panel, Low Tension Panel.

[Contact Us](#)

50km/spool



Barbados Electrical Generator Solution , Teltronic

Power your life. your barbados electrical generator solution teltronic systems inc Contact Us What we provide For residential or commercial customers who want a

[Contact Us](#)



Barbados transmission and distribution network

Download scientific diagram , Barbados transmission and distribution network from publication: The Impact of Electric Vehicles Deployment on Production Cost in a

[Contact Us](#)





low voltage automation Companies and Suppliers near Barbados

ENCOSyst is a French company created in 2011 by specialists in electric systems (low and medium voltage) and automation in the field of power generation and especially of small hydro and medium

[Contact Us](#)



Barbados Industrial Electrical Maintenance: Ensuring

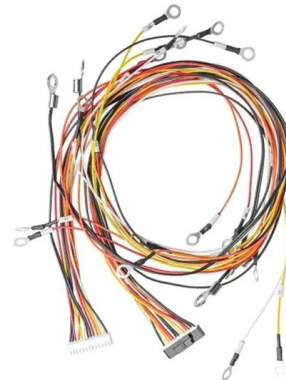
Barbados has a promising industrial landscape that requires electrical maintenance within manufacturing facilities therefore it is important to ensure operational reliability and safety.

[Contact Us](#)

Distribution Automation

They provide the platform for a modern, safe and smart power grid, wind power and industries, also in technologically demanding locations.

[Contact Us](#)



GRID CODE

The LDG Facility interconnecting to BLPC's Transmission or Distribution System must have a registered engineer, licensed in Barbados, declare (stamp and seal) that the LDG Facility has been designed,

[Contact Us](#)



Innovative AI Strategies for Barbados Light & Power Company:

Given that electricity rates in Barbados are among the highest in the Caribbean, implementing AI-driven dynamic pricing can offer more competitive rates and incentivize energy

[Contact Us](#)



Open source modelling of scenarios for a 100% renewable energy

As the chosen 7% wacc in the base case is already rather high, this underlines, that PHS is a robust solution on a way to 100% RE for Barbados. The sensitivity analysis furthermore shows

[Contact Us](#)

Barbados Electric Power Substation Automation Market (2025-2031)

Market Forecast By Component (SCADA, RTUs, IEDs, Communication Networks), By Voltage Level (Low Voltage (345

[Contact Us](#)



Innovative AI Strategies for Barbados Light & Power Company:

The Barbados Light & Power Company Limited (BL& P Co.), established on 17 June 1911, stands as the sole electricity utility provider in Barbados, serving over 100,000 customers. As a

[Contact Us](#)



LDOs Bring High Efficiency and Low Noise Regulation to

Switched mode or linear? Often times, the best solution for industrial equipment is a linear power supply that incorporates a low-dropout regulator with

[Contact Us](#)



Landis+Gyr selected for smart grid technology project in Barbados

"We see this technology as the key to reaching our goals for improving efficiency, power quality and reliability." Barbados Light & Power is installing E350 FOCUS AX-SD and E650 S4x

[Contact Us](#)



Schneider Electric Barbados , Your Energy Technology

As a global specialist in energy management, automation and digitalization in more than 100 countries, we offer integrated energy technology solutions across

[Contact Us](#)



Electrical, Instrumentation & Automation

G& W Electric has been a global supplier of electric power equipment since 1905; with product offerings include overhead and underground distribution switches,

[Contact Us](#)





Remote power distribution automation design resources , TI

View the TI Remote power distribution automation block diagram, product recommendations, reference designs and start designing.

[Contact Us](#)



ECO-HEALTH IN THE AMERICAS LEGAL WORKING PAPER SERIES

Introduction The Barbados Light and Power Company (BLPC) Spring Garden Generating Station (SGGS) is located on the Western side of the Spring Garden Highway above the high water mark of

[Contact Us](#)

null

This Bill would regulate the generation, storage, transmission, distribution, dispatch, supply and sale of electricity; and

[Contact Us](#)



Barbados Electric Power Substation Automation Market (2025-2031)

Barbados Electric Power Substation Automation Market is expected to grow during 2024-2031

[Contact Us](#)

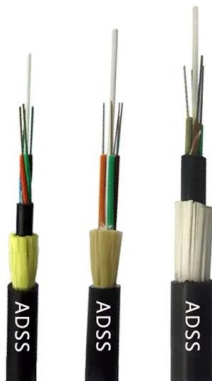




Energy distribution solutions for sub and final distribution

ABB offers a comprehensive range of power converters and controllers designed for various applications across different industries. These products help customers generate and utilize

[Contact Us](#)



How We Deliver Electricity

How We Deliver Electricity Light & Power delivers electricity directly to your home or business from our power plants through the numerous poles and cables lines throughout Barbados. The Electricity

[Contact Us](#)

Best Residential & Commercial Electrical Services Barbados , Cable Solution

Our aim is to be the ultimate solution for all your electrical needs in Barbados, offering top-notch services for electrical installations,

[Contact Us](#)



Landis+Gyr for Advanced Metering and Grid Management Project in

Landis+Gyr said Tuesday it has been selected by Barbados Light & Power for a comprehensive smart grid technology project that includes advanced metering and data

[Contact Us](#)



Energy Transition Initiative: Island Energy Snapshot



Electricity Sector Data Electricity in Barbados is entirely supplied by the Barbados Light and Power Company (BL&P), a vertically integrated utility that operates the thermal generation and transmission

[Contact Us](#)



Skills for Africa -Machine Learning-Driven Smart Grid Protection

The rapid modernization of power systems has transformed traditional electrical grids into complex, data-intensive smart grids requiring advanced protection, real-time monitoring and intelligent control

[Contact Us](#)

Titl Here

These are distribution automation with intelligent switches at the feeder level, pilot distribution equipment monitoring (DEM), and battery energy storage systems for grid support procurement proposals.

[Contact Us](#)



Contact Us

For datasheets, pricing, or custom fiber access solutions, please visit:
<https://frindel.es>