

# **Bangladesh Integrated Distribution Box Cabinet 400V Manufacturer**





## Bangladesh Integrated Distribution Box Cabinet 400V Manufacturer

---



### Best Electrical Distribution Board Price in Bangladesh

Our range of high-quality Best Electrical Distribution Board are engineered to provide efficient power management and ensure reliable performance. Ideal solution for

[Contact Us](#)

### Low & High Voltage Power Distribution Cabinet,

Manufacturer of intelligent switch cabinet--low-voltage, high voltage power distribution switch cabinet, also have many other electric equipment electric

[Contact Us](#)



- ✓ Panda PM Fiber Armored Patch Cord - 3.0mm
- ✓ ER-30dB/25dB
- ✓ Own factory, MOQ 1 piece

Distribution box Rubber Handy 6 Robust full rubber housing, impact resistant, oil-, UV- and acid resistant. Protected with a ground fault interrupter and circuit breaker. All protections covered by

[Contact Us](#)

### Distribution Box Manufacturer in India

VLI is your trusted electrical distribution box manufacturer for reliable and high-quality power management solutions. Request a quote today.

[Contact Us](#)



### Main Distribution Board Manufacturer Company

A main distribution board is for distributes the electrical load at various portion of the electrical system. Innovern engineering is the designer, manufacturer, supplier as well as installer of top class electrical

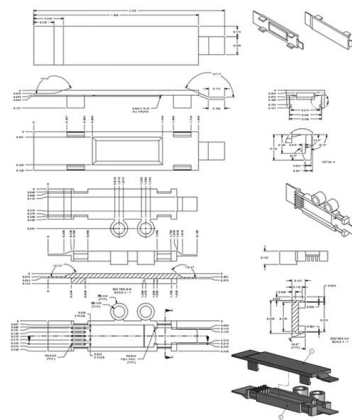
[Contact Us](#)



### Electrical AC/DC Power Distribution Box & Cabinet for Industry

Gopower is a manufacturer of industrial ac/dc electrical power distribution box/board transformer power unit. We manufacturer rtu in scada system and feeder remote terminal unit. Get a power distribution

[Contact Us](#)



### Distribution electrical enclosure, Distribution electrical

Find your distribution electrical enclosure easily amongst the 71 products from the leading brands (TAKACHI, Edit Elektronik, Safybox, ) on DirectIndustry, the

[Contact Us](#)





## Distribution Box Item Provider in Bangladesh , Hadid Global

Top-rated Distribution Box importer, wholesaler & supplier in Bangladesh. Your one-stop shop for quality electrical solutions. Bulk discounts available.

[Contact Us](#)



## Super Star Electrical Distribution Box

Distribution Box Types : 1 Way 2 Way 2 & 3 Way  
4 Way 6 & 9 Way 7 To 10 Way 1

[Contact Us](#)



## SP-PLC Electrical Panel Floor Standing Plc Electric Box

SP-PLC low-voltage power distribution cabinet is applicable to three-phase three-wire, three-phase four-wire and three-phase five-wire systems of 400V and below

[Contact Us](#)



## Low-Voltage Integrated Distribution Box Jp Cabinet

JP outdoor integrated distribution box, is an outdoor comprehensive distribution device that integrates multiple functions such as metering, outgoing

[Contact Us](#)



## 14 manufacturers for Electrical Distribution in Bangladesh

SPT is a prominent manufacturer of electrical distribution products in Bangladesh, offering a diverse range of generators, transformers, voltage stabilizers, and substations.

[Contact Us](#)



## Distribution Box

Find Distribution Box manufacturers, suppliers, dealers & latest prices from top companies in India. Buy from a wide range of Distribution Box online.

[Contact Us](#)



## Distribution electric cabinet, Distribution electrical

Find your distribution electric cabinet easily amongst the 88 products from the leading brands (RITTAL, Edit Elektronik, Safybox, ) on DirectIndustry, the

[Contact Us](#)



## Distribution electric cabinet

Find out all of the information about the Satco Bangladesh product: distribution electric cabinet . Contact a supplier or the parent company directly to get a quote

[Contact Us](#)





## Distribution Box Item Provider in Bangladesh , Hadid Global

Our robust distribution boxes are engineered to provide efficient and reliable power management for a wide range of applications. Designed with high-quality materials and advanced safety features, these

[Contact Us](#)



## Distribution Boards

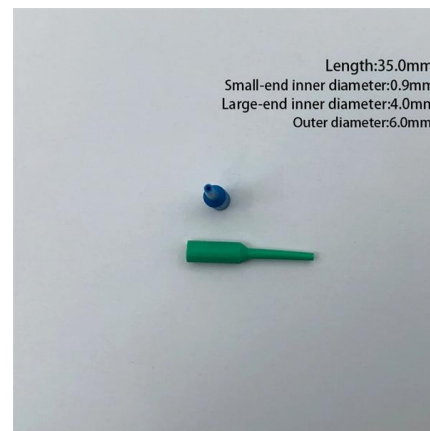
The Distribution Boards are powered by proven quality, ensuring dependable circuit protection against both overload and short circuits. The boards are carefully

[Contact Us](#)

## DISTRIBUTION BOARDS CATALOG

Efficient Power Distribution: Optimized for minimal power loss, ensuring effective energy management and distribution. Easy Installation and Maintenance User-Friendly Design: Simplified installation

[Contact Us](#)



## Power Distribution Cabinet & Box Price in Bangladesh 2026

Looking for Power Distribution Cabinet & Box prices in Bangladesh? Check latest deals and buy online at Dunia .BD , 2026

[Contact Us](#)



### Distribution Box

Ahmed Plaza (4th Floor) Road-02, Sector-03,  
Jashimuddin Uttara, Dhaka-1230  
info.wener@gmail

[Contact Us](#)



### COMPANY PROFILE PRODUCT CATALOGUE

Alo Bitan is an authorized distributor of some world famous Brand in Bangladesh among them ABB, Hitachi, Shihlin, Mikro, Frako, Rishabh, Panasonic, Selec Etc. Alo Bitan has already setup a reputed

[Contact Us](#)

### Electrical Distribution Board Manufacturing Company List in

Electrical Distribution Board Manufacturing Company List in Bangladesh 2026 Top Electrical Distribution Board Companies in Bangladesh Filters : To download our app from play store Click Here



[Contact Us](#)



### Buy electrical distribution box Online at Best Price in Bangladesh

Bangladesh - Shop for Best Online at Daraz .bd Wide Variety of electrical distribution box. Great Prices, Even Better Service.

[Contact Us](#)



## Power distribution electrical enclosure, Power

Find your power distribution electrical enclosure easily amongst the 101 products from the leading brands (Cabur, Safybox, WALTHER WERKE, ) on

[Contact Us](#)



## ABB in Bangladesh, Leading digital technologies for

ABB has had its representation in Bangladesh since the inception of the country in 1971. ABB established its first liaison office in 2003, geared

[Contact Us](#)

## Electrical Distribution Cabinet Box 400x400

Product overview Introducing the Electrical Distribution Cabinet Box 400x400 (Model: EDCB-400), a high-performance solution engineered for electrical system integration. Constructed from premium

[Contact Us](#)



## Contact Us

---

For datasheets, pricing, or custom fiber access solutions, please visit:  
<https://frindel.es>