

Bahrain Overseas Warehouse Hollow Core Fiber Optic OM5





Bahrain Overseas Warehouse Hollow Core Fiber Optic OM5



Fiber Optic Cable Assemblies , Anixter Bahrain

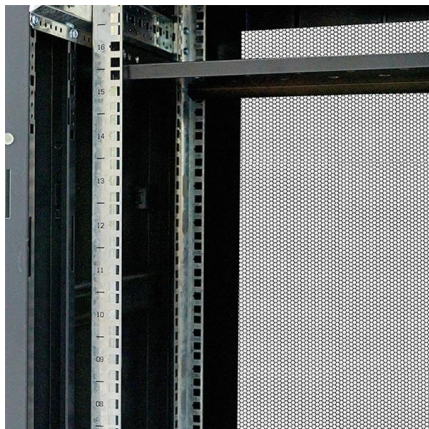
3 MT Opti-Core Fiber Patchcord, OM3 2-Fibers, LC-SC Duplex, 1.6MM Jacket, LSZH PANDUIT MFR
PART # FX2ELLNSNSNM003 PART # 663491
Minimum 1 Each View All: Fiber Optic Cable

[Contact Us](#)

FI5D012A9 Technical Data Sheet

Product Description FX Indoor, OM5, Distribution Tight Buffer, 12 Fibers, OFCP, Aluminum Interlocked Armor, Non-Unitized, Lime Green Jacket

[Contact Us](#)



Fiber Optic Cable, Indoor/Outdoor, MM OM5, Tight Buffered, LS0H,

Molex LS0H OM5 50/125um tight buffered fiber cable can be used for LAN and WAN applications. The cable is suitable for indoor applications on trays and outdoors in ducts and features e-glass strength

[Contact Us](#)

OM5 Fiber vs OM4 and OM3: Key Differences Explained

OM5 fiber guide. Learn differences between OM3, OM4, and OM5 fibers for networking and data center applications.

[Contact Us](#)



OM5 MTP/MPO Trunk Cable

Our fiber optic cable assemblies are available to provide wide variety of fiber optic patch cords/ pigtailed. Types of cables include: single mode (OS1, and OS2) and multimode (OM1, OM2, OM3, OM4, and

[Contact Us](#)



OM5 Fiber Spec Sheet

"Leviton is dedicated to designing, developing and manufacturing sustainable high performance structured cabling and specialty cabling solutions." The information contained in this document is

[Contact Us](#)



Single Jacket OM5 Multi-Core Mini Round Fiber Optic

The Multimode OM5 Multi-Core Mini Round Fiber Optic Cable represents the next evolution in high-speed optical connectivity, designed specifically for next-gen

[Contact Us](#)





OM5 Multimode Fiber Optic Cables

The L-com OM5 50/125 Multimode Fiber Optic Cables are available in a variety of lengths and connector combinations. It is a perfect choice for high-bandwidth applications such as 100 Gigabit Ethernet, 400

[Contact Us](#)



Corning® ClearCurve® OM5 Wide Band Optical Fiber

Corning® ClearCurve® OM5 wide band optical fiber is designed to withstand tight bends and challenging cabling routes with full backward compatibility to OM4 fiber.

[Contact Us](#)

Different Fiber Optic Cable and supported distance

Overview of Multimode Fiber (OM1 - OM5)
Multimode fiber (MMF) is commonly used for short-distance high-speed data transmission in storage area networks (SANs), data centers, and enterprise

[Contact Us](#)



Length:17.0mm
Small-end inner diameter:2.05mm
Large-end inner diameter:3.6mm



Fiber Optic Cable Assemblies , Anixter Bahrain

Anixter is your source for Fiber Optic Cable Assemblies products.

[Contact Us](#)



OM5 Fiber FAQs: Must Know for High-Speed

OM5 fiber is a new type of specialty fiber optic cable. The article explores the OM5 Fiber FAQs for insights on data rates, compatibility, and benefits.

[Contact Us](#)



HFCL

Powered by not just one, but a total of five advanced manufacturing facilities, we ensure a seamless supply of top-quality fiber optic cable, driven by efficiency and

[Contact Us](#)

Understanding the Differences Between OM4 and OM5

Multimode fiber is a staple of fiber-optic cable infrastructure in data centers and campus networks. The ISO/IEC 11801 standard defines five classes

[Contact Us](#)



What is OM5?

Lastly, OM5 relies on a cable infrastructure based on LC connectivity as opposed to the existing protocols that require parallel optics with MTP-connectivity. OM5 fibre supports similar modal

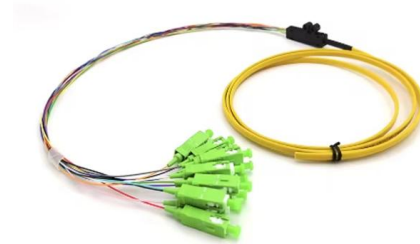
[Contact Us](#)



Everything you need to know about OM1 vs OM2 vs

There are four commonly used OM (multimode) fibers: OM1, OM2, OM3 and OM4. Each type of them has different characteristics. The article will

[Contact Us](#)



Structured Cabling

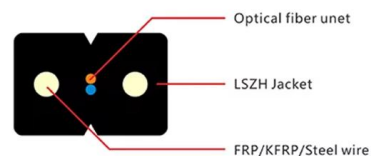
ATC is the leading supplier of full range of fiber cabling systems (SM, OM3, OM4 and OM5) from Datwyler and Excel.

[Contact Us](#)

Infrastone : BLACK-STONE NETWORK : Blackstone Installation cables

BLACKSTONE Tight Buffer Fiber Optic Cable, 24 Core, Indoor/Outdoor, Multimode, OM5, PVC, Green, part number: BSIF-TB-24C-OM424 Part No. : BSIF-TB-24C-OM524 BLACK-STONE Tight Buffered

[Contact Us](#)



Excel Enbeam OM5 Multimode Internal Fibre Optic Cable Tight Buffered

Enbeam OM5 multimode tight buffered optical fibre cables have been designed specifically for internal applications. The OM5 multimode optical fibre cable will support 40, 100 and 400 Gigabit Ethernet

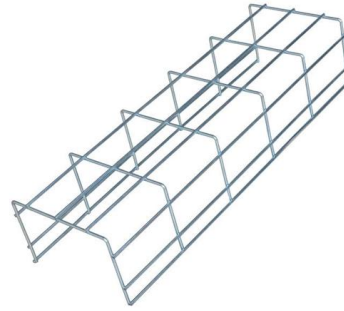
[Contact Us](#)



Enbeam OM5 Multimode Fibre Optic Cable Loose Tube 12 Core

Enbeam OM5 Multimode loose tube optical fibre cable has been designed specifically for internal and external applications, and supports 40, 100 and 400 Gigabit Ethernet channel distances of 440

[Contact Us](#)



Fiber Optic Cable

Once you have selected the fiber media consider also what cords, connectors, housings and enclosures may be required. The below shows typical channel configurations across warehouse applications.

[Contact Us](#)

Multi-Mode OM5 Cables

Compatible with Short-Wavelength Division Multiplexing (SWDM) and Wideband Multimode Fiber (WBMMF) for extended reach and 200G/400G applications Provides 40G/100G transmission up to

[Contact Us](#)



Fiber Optic Cable

The fiber optic backbone serves as the primary means of high-speed communication across the enterprise, facility, and automation areas. Common applications and the typical cable types used:

[Contact Us](#)



Fiber Optic OM5 FC-FC Duplex Patch Cable 10 to 50 Meters (60m 1pc)

Buy HAIZHI Fiber Optic OM5 FC-FC Duplex Patch Cable 10 to 50 Meters (60m 1pc) online on Amazon.ae at best prices. Fast and free shipping free returns cash on delivery available on eligible

[Contact Us](#)



OM1 vs OM2 vs OM3 vs OM4 vs OM5 Multimode Fiber

Compare OM1, OM2, OM3, OM4, and OM5 multimode fiber specs, distances, bandwidth, and applications. Essential guide for data center fiber

[Contact Us](#)

What is OM5 Fiber and How it Roles in Data Center

OM5 fiber, with its unique capabilities to support SWDM and its backward compatibility with existing technologies, presents a compelling case for

[Contact Us](#)



Fibre Optic Guide

Fibre Optic Guide Construction A glass fibre cable consists mainly of three parts: The glass fibre core, carrying the light signal, the glass jacket which reflects the light

[Contact Us](#)



Comparing OM1, OM2, OM3, OM4, and OM5 Fiber Optic Cables

Introduction Fiber optic cables are essential for high-speed data transmission in networks, and choosing the right type of fiber is crucial for ensuring optimal performance. OM (Optical

[Contact Us](#)



Optical Fiber Cables Wholesale Suppliers, Manufacturers

Buy premium Optical Fiber Cables in bulk from verified wholesale suppliers and manufacturers in Bahrain. Best prices, bulk discounts, trusted deals at go4WorldBusiness .

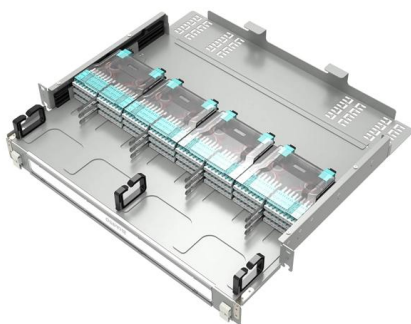
[Contact Us](#)



OM5 Fiber Optic Cables

OM5 multimode fiber cable is fully compatible to previous multimode standards OM3 and OM4 yet the OM5 can achieve much higher speed with less fiber cores. OM5 uses the color Lime Green.

[Contact Us](#)



Fiber Optic Bulk Cables

These fiber optic bulk cables offer the best mix of capacity, security and reliability, without electrical interference. Order today at Warehouse Cables!

[Contact Us](#)



Multimode Fiber Optic Cable Types: OM1 vs OM2 vs

Multimode fiber optic cable types OM1, OM2, OM3, OM4 and OM5 compared for core size, bandwidth, speed, distance & applications in modern

[Contact Us](#)



Contact Us

For datasheets, pricing, or custom fiber access solutions, please visit:
<https://frindel.es>