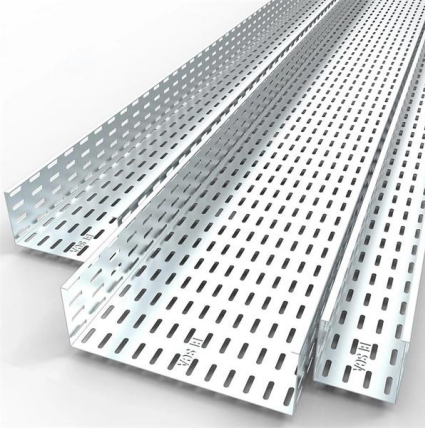


Asian Network Electronic Distribution Frame System





Asian Network Electronic Distribution Frame System



Active Electric Distribution Network: Applications, Challenges, and

Hence, this article explores and reviews active distribution network communication technologies, as well as the applications and communication standards. This review paper also

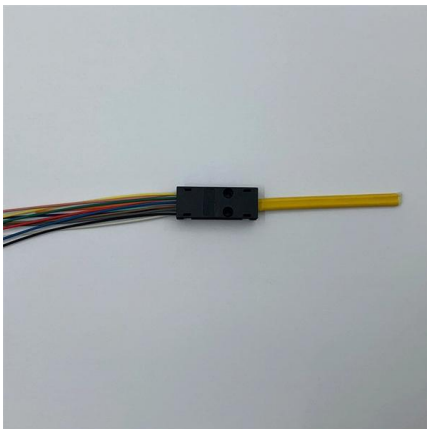
[Contact Us](#)

Classification of Electric Power Distribution Network

Different Types of Electric Power Distribution Network Systems The typical electric power system network is classified into three parts; Generation Transmission



[Contact Us](#)



Distribution frame

In broadcast engineering, a distribution frame is a location within an apparatus room through which all signals (audio, video, or data) pass, with the ability to arbitrarily

[Contact Us](#)

Chapter I Driving forces of Asian international production networks: A

During the past three decades, the process of global production sharing has created a new form of division of labour between Asian economies, especially in East and Southeast Asia. The rapid



Flexible distribution network: definition, configuration,

Abstract In this article, a new concept of flexible distribution network (FDN) is proposed for the power grid with increasing distributed energy resources

[Contact Us](#)



Electric Power Distribution

2.1 Distribution networks In an electric power system, power is generated in generation station and then it is transmitted through the transmission line. Finally, the electric distribution network is designed to



[Contact Us](#)



China s Shifting Roles in Asian Electronics Trade Networks

The rise of China as 'the world's factory' and the growth of a new generation of Asian emerging economies like Vietnam have changed the way Asia is internally and externally connected. Yet,

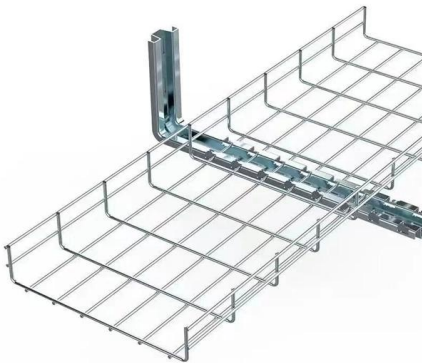
[Contact Us](#)



What is Optical Distribution Frame in Telecom Networking

Optical Distribution Frames (ODF) are indispensable components in optical communications networks. They provide efficient fiber optic management,

[Contact Us](#)



RFID electronic distribution frame system

The RFID electronic distribution frame system is mainly composed of four functional modules: RFID electronic patch cord, RFID electronic patch frame, controller and background computer

[Contact Us](#)

Active Distribution Network

Abstract An active distribution network is an important concept for the implementation of a smart power grid. This chapter discusses in detail the active distribution network for the implementation of the

[Contact Us](#)



What Is a Main Distribution Frame (MDF)? Everything

What Is a Main Distribution Frame (MDF)? The Main Distribution Frame is the primary central point in a building or campus where incoming

[Contact Us](#)



Asian Network Forum

Responding to these developments, an Asia Network Forum (ANF) was established by CQC (China), ETC (Taiwan), JQA (Japan), KTL (Korea), TUV-SUD PSB

[Contact Us](#)



An Extensive Library of Self-Developed Products



Main Distribution Frame

IDF (Intermediate Distribution Frame) - smaller sub-frames that distribute signals to local areas.
SDF (Secondary Distribution Frame) - used in

[Contact Us](#)

FS Community

Hier sollte eine Beschreibung angezeigt werden, diese Seite lässt dies jedoch nicht zu.

[Contact Us](#)



What is an intermediate distribution frame (IDF)?

What is a distribution frame? A distribution frame is a passive connection system that is used to interconnect and terminate telecommunications

[Contact Us](#)

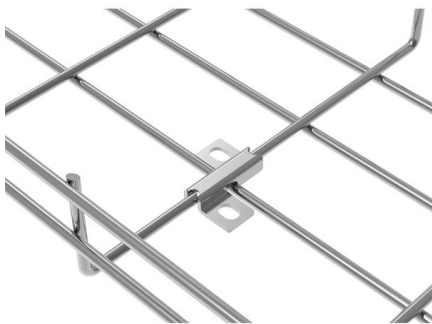
Digital Distribution Frame , Distribution



Frame , Optical

A Digital Distribution Frame (DDF) is the interface when coaxial cable has to be terminated, organized or cross-connected in long-distant transport networks, or in

[Contact Us](#)



(PDF) The transformation of Asian electronics

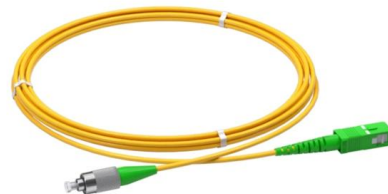
Massive inflows of FDI to Vietnam have been mainly led by Japanese and the Asian NIE TNCs particularly from South Korea and Singapore, which

[Contact Us](#)

RFID electronic distribution frame system

The RFID electronic distribution frame system can monitor the changes of jumpers, links, switches, routers, terminals, etc. in the network environment in real time, with support for power failure

[Contact Us](#)



MDF vs. IDF in Networking - VCELINK

MDF holds the most core network equipment, such as main routers, switches, servers, patch panels, etc. It is often employed in large networks such

[Contact Us](#)



Fiber Distribution Frame FDF

The Fiber Distribution Frame (FDF) is a critical supporting device in optical transmission systems primarily used for tasks such as fiber

[Contact Us](#)



CN219394979U

The application provides an electronic distribution frame, which comprises an antenna system and a distribution frame body used for installing the antenna system, wherein at least one

[Contact Us](#)

Electronic distribution frame system

An electronic distribution frame and distribution frame technology, applied in the direction of electrical components, selection devices, etc., can solve problems

[Contact Us](#)



Digital Distribution Frame , Distribution Frame , Optical

The frame is equipped with perfect earth system, and 75%/ 120% convertor can be provided at user's requirement. The frame has the highlights of fast and easy

[Contact Us](#)



Serial System Ltd , Top Electronic Components

and 3D prints. Electronic Components Distribution Serial System has a customer base of more than 5,000, mostly across Asia, spanning a diverse range of

[Contact Us](#)



Ethernet Distribution Frame

ADC's Ethernet Distribution Frame (EDF) forms a central patching location between active Ethernet network elements. By creating a centralized craft interface for adds, upgrades, and rearrangements

[Contact Us](#)



Strengthening ASEAN's electrical and electronics sector: Enhancing

The key topics to be discussed in this section are the GPN theory, the role of the local production network, and the production network of the E& E industry in ASEAN.

[Contact Us](#)



Electronic Distribution Frame Port Technology

Because the port technology does not require special jumpers and the establishment of end-to-end loops, it is possible to upgrade ordinary distribution frames to intelligent distribution frames without

[Contact Us](#)





DDF Frame , Digital Distribution Frame , Distribution

DIGITAL DISTRIBUTION FRAMES A Digital Distribution Frame (DDF) is the interface when coaxial cable has to be terminated, organized or cross-connected

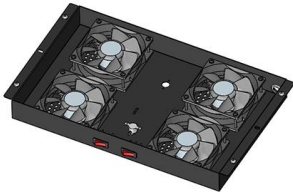
[Contact Us](#)



Electronic Distribution Frame Port Technology

1 Architecture of intelligent wiring system The intelligent management system is divided into three parts: electronic distribution frame, signal receiving or acquisition equipment, and management software.

[Contact Us](#)



Contact Us

For datasheets, pricing, or custom fiber access solutions, please visit:
<https://frindel.es>