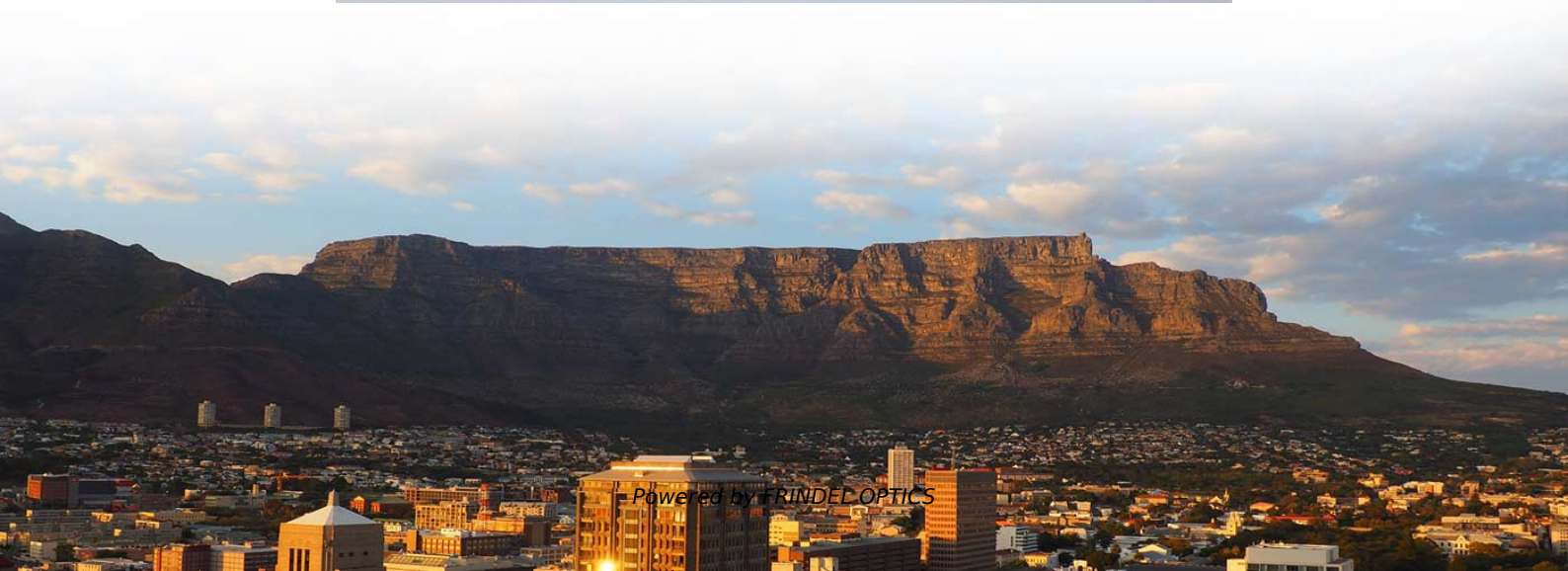


Are the small busbars at the top of the cabinet the same wire





Are the small busbars at the top of the cabinet the same wire



From Breakers to Busbars: Understanding Major

What are the major components of a modern switchboard? Find everything you need to know from bus bars to circuit breakers.

[Contact Us](#)

What's the Difference Between Busbars and Cables?

Busbars and cables have unique advantages and disadvantages. This article delves into the mysteries and technology of busbars.

[Contact Us](#)



Busbar, Bus Stab, Breaker Slot and Circuit Space in a

In short, the neutral busbar connects all branch circuit neutral wires to the service neutral conductor. The neutral busbar is made of aluminum or copper and usually

[Contact Us](#)

AOL Video

The AOL video experience serves up the best video content from AOL and around the web, curating informative and entertaining snackable videos.

[Contact Us](#)



A Comprehensive Guide to the Different Types of

Explore the different types of electrical bus bars, including copper, aluminum, tinned copper, insulated, flat, flexible, and bus ducts.

[Contact Us](#)

Application of electrical busbar in High Voltage Cabinets

High voltage cabinets are central components in power distribution and electrical management across a variety of industrial and utility applications. Electrical busbars are essential in these cabinets,



[Contact Us](#)



The Ultimate Guide to Electrical Busbars [May 2026]

Imagine trying to manage a complex electrical system with a tangled mess of wires--chaotic, right? That's where electrical busbars come to the

[Contact Us](#)



How to Install and Process Busbars in Electrical Panels

One common error is doubling up wires in a single busbar hole, which can lead to poor connections and increased risk of arcing and sparking. Each wire should have its own dedicated

[Contact Us](#)



How to Install Bus Bars in Electrical Panels: A Step-by-Step Guide

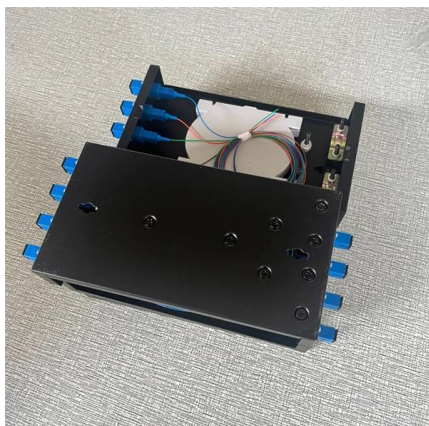
Bus bars play a crucial role in electrical distribution systems by providing a reliable and efficient way to conduct electricity within electrical panels. Whether in industrial, commercial, or residential

[Contact Us](#)

Design Guide for bus bars , Mersen

Important characteristics of laminated bus bars are resistance, series inductance, and capacitance. As performance parameters of electronic equipment and

[Contact Us](#)



Switchgear Cabinet Components: 7 Essential Parts

Busbars are typically made from copper or aluminum due to their excellent electrical conductivity and mechanical strength. Compared with

[Contact Us](#)

Electrical Panel Bus Bars vs. Traditional



Wiring: What's

Compare electrical panel bus bars and traditional wiring. Explore their key differences in terms of efficiency, space-saving, installation, maintenance, and

[Contact Us](#)



Understanding Electrical Ground Bus Bar: An Ultimate

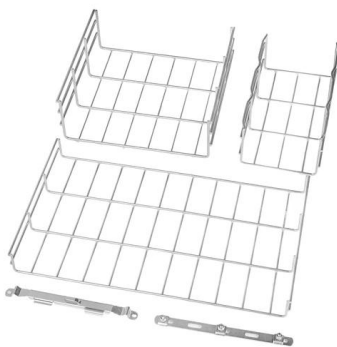
Explore everything you need to know about the electrical ground bus bar, a critical component for safe and efficient electrical systems.

[Contact Us](#)

ITPro Today, Network Computing, IoT World Today combine

For more details about the Informa TechTarget combination, we invite you to read the company's press release and explore our combined portfolio of publications. Together, we are

[Contact Us](#)



unsupervised_topic_modeling/topics/en/17/100/50/topics at

Contribute to annontopicmodel/unsupervised_topic_modeling development by creating an account on GitHub.

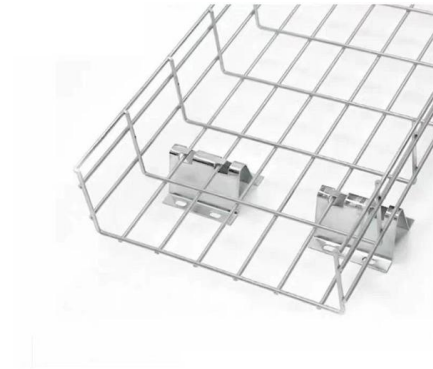
[Contact Us](#)



Electrical cabinet busbar

Electrical cabinet busbars are classified according to many different criteria to meet diverse usage needs: By material: Copper busbar (good electrical

[Contact Us](#)



A Comprehensive Guide to Electrical Bus Bar Types

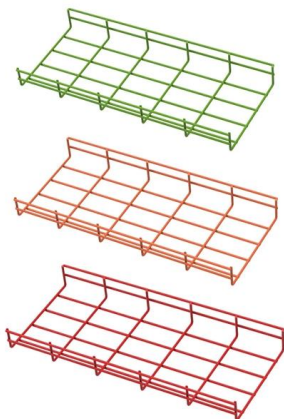
Safety: Bus bars are less prone to faults, overheating, or damage compared to individual wires, especially in high-power systems.
Efficiency: By

[Contact Us](#)

What is the purpose of having 2 bus bars? : r/electrical

Technically, you could land both neutrals and grounds on the same bar but they should be separate for two main reasons. For any spot other than your main

[Contact Us](#)



What is a busbar in an electrical panel?

This should expose the wiring within. The busbars will usually be long metal bars that run vertically through the panel. Using tape and a marker or pen,

[Contact Us](#)



Switchgear cabinet installation >> FTG - Friedrich Göhringer

For individually required lengths or different busbars, an element was specially designed for better installation. The FTG system carrier is a small, ingenious component. It can be simply clicked onto

[Contact Us](#)



U.S. News: Latest Breaking Stories and Video on

Get the latest news headlines and top stories from NBCNews . Find videos and news articles on the latest stories in the US.

[Contact Us](#)

How to Install and Process Busbars in Electrical Panels

Have you ever wondered how busbars, those critical components in electrical panels, are expertly installed and processed to ensure efficient power distribution? If you're an intermediate

[Contact Us](#)



Product Catalog



Busbar

Since standard busbar components for control panels were designed to work primarily with IEC components, the busbar adapters provide the same standardized metric platform to choose from.

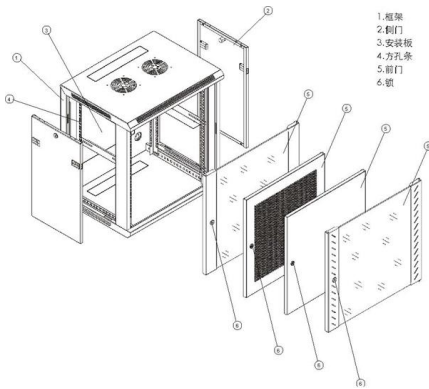
[Contact Us](#)



Busbar Processing & Installation: Your Ultimate Guide

Ever wondered how busbars, the unsung heroes of electrical distribution, are processed and installed? This article delves into the intricate

[Contact Us](#)



The Essential Guide to Electrical Terminal Bus Bars

Provide an in-depth look at the role, types, and applications of electrical terminal bus bars in power distribution systems. Learn how these vital

[Contact Us](#)

Contact Us

For datasheets, pricing, or custom fiber access solutions, please visit:
<https://frindel.es>