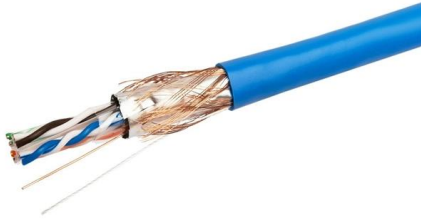


Are export optical cables selling well now





Are export optical cables selling well now



Top Import Markets for Optical Fiber Cables: Key Statistics

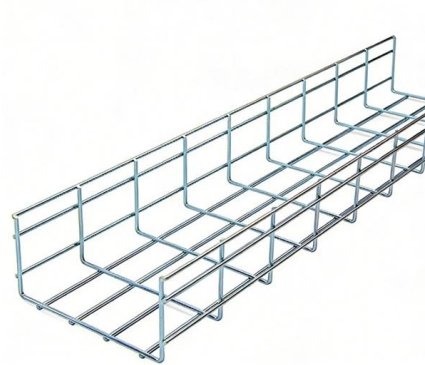
In this article, we will explore the world's best import markets for optical fiber cables, backed by key statistics and data from the IndexBox market

[Contact Us](#)

Fiber Optic Cable Market Size, Share, Industry Outlook 2026

Fiber Optic Cable Market size was valued at US\$ 15.5 billion in 2025 and is expected to reach US\$ 32.7 billion by 2032, growing at a significant CAGR of 11.3% from 2026-2032. A fiber optic is a

[Contact Us](#)



Active Optical Cable Market Analysis

Active Optical Cable Market Size 2024-2028 The active optical cable market size is forecast to increase by USD 9.57 billion at a CAGR of 34.73% between 2023 and 2028. The Active Optical Cable (AOC)

[Contact Us](#)

Active Optical Cable Market Size , Industry Report, 2030

The higher reliability of active optical cables compared to traditional copper cables, along with the widespread adoption of cloud-based services, is driving market



Global Fiber Optic Cable Growth Analysis

High cost of fiber optic cable is a key challenge affecting the industry growth. The market is experiencing significant growth due to the advantages it offers, such as

[Contact Us](#)



US & European Fiber Optic Cable Market Forecasts 2031

Fibre optic cables incorporate glass threads as thin as human hair, sending messages modulated into light waves. Although these cables are made

[Contact Us](#)



Fiber Optic Cable Market Size, Share & Trends Report, 2034

Fiber optic cable market was valued at USD 13 billion in 2024 and is estimated to grow at a CAGR of over 10.4% from 2025 to 2034 driven by growing demand for high-speed internet.

[Contact Us](#)





US & European Fiber Optic Cable Market Forecasts 2031

United States And European Fiber Optic Cable Market Size & Share Analysis - Growth Trends and Forecast (2026 - 2031) The United States and

[Contact Us](#)



Fiber Optic Cable Market Size, Demand, Growth By 2035

The fibre optic cables that carry the data by the use of light signals have a much greater advantage over traditional copper cables because they have a higher bandwidth, faster connectivity,

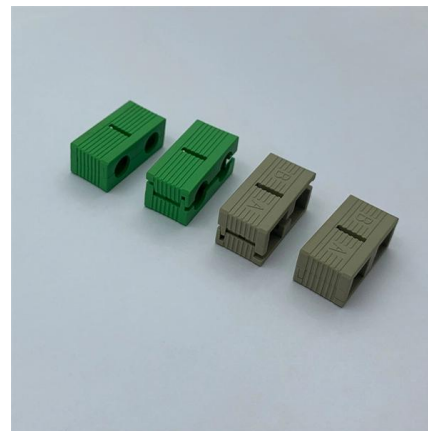
[Contact Us](#)



European Union's Optical Fiber Cable Market Set to Reach 161K

The EU optical fiber cable market is forecast to grow to 161K tons (\$3.1B) by 2035, driven by rising demand. This analysis covers 2024-2035 trends, including consumption, production, trade, and key

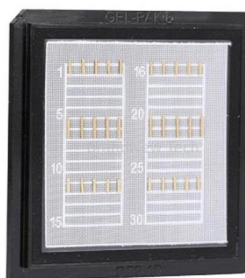
[Contact Us](#)



10 Best Fiber Optic Manufacturers & Suppliers for 2026

The top 10 suppliers and manufacturers of optical cables in 2026. offering high-speed connectivity, durable builds, and reliable performance across

[Contact Us](#)





Global Optical Fiber Cable Market Size, Trends, Share,

The Global Optical Fiber Cable Market was valued at USD 8.93 Billion in 2023 and is anticipated to reach a value of USD 18.33 Billion by 2031 expanding at a CAGR

[Contact Us](#)



Fiber Optics Cable Market (2023-2032)

Fiber optics cable is used mainly for digital transmission of data and is increasingly being used owing to its efficiency and high transmission capacity. Fiber optics cables are used usually when high

[Contact Us](#)

Optical Fiber Cable CAGR Trends: Growth Outlook 2026-2034

The size of the Optical Fiber Cable market was valued at USD 11790 million in 2024 and is projected to reach USD 15307.18 million by 2033, with an expected CAGR of 3.8% during the

[Contact Us](#)



Active Optical Cables (AOC) Market Forecasts to 2030

The Global Active Optical Cables Market size is expected to reach USD 4.66 billion in 2025 and grow at a CAGR of 13.5% to reach USD 8.79 billion

[Contact Us](#)



Fiber Optic Cable Market Size and Forecast 2024-2028

As global internet penetration continues to rise, the demand for reliable, high-speed data transmission solutions will sustain the market's momentum. For more details about the industry, get the PDF

[Contact Us](#)



190X95X25mm



Fiber Optical Cable Exports from World

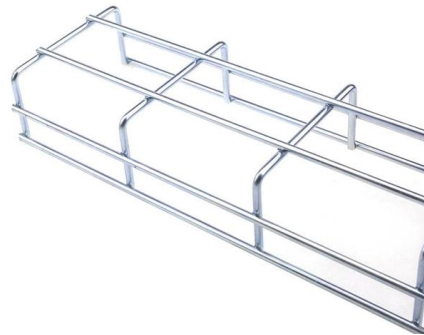
Analyze 569,492 Fiber Optical Cable export shipments till Feb-26. Export data includes Buyers, Suppliers, Pricing, Qty & Contact Phone/Email.

[Contact Us](#)

Optical Fiber Market Size, Competitors & Forecast to 2032

The Optical Fiber Market, valued at USD 9.51B in 2026, is projected to reach USD 13.52B by 2032, growing at a 5.9% CAGR.

[Contact Us](#)



Fiber Optical Cable Exports from World

With Volza's verified Fiber Optical Cable Export Data, you can compare port performance, shipment frequency, and country-wise routing to choose the best export gateways for your Fiber Optical Cable

[Contact Us](#)



Fiber Optic Cables Market 2025

This market research report provides a comprehensive analysis of the Fiber Optic Cables Market, covering the forecast period 2025-2032. It offers detailed

[Contact Us](#)



Optical Fiber Cable Market Size, Share, and Trends

The rise in the adoption of fiber optic technology across the globe is one of the major factors driving the growth of global optical fiber cable market. The increase in the

[Contact Us](#)

Fiber Optic Cable Market Size, Share & Trends Report,

The global fiber optic cable market was valued at USD 13 billion in 2024 and is estimated to grow at a CAGR of 10.4% to USD 34.5 billion in 2034.

[Contact Us](#)



Top Import Markets for Optical Fiber Cables: Key Statistics

In conclusion, optical fiber cables play a crucial role in shaping the modern telecommunications landscape. The aforementioned countries have emerged as the world's best

[Contact Us](#)



Fiber Optics Market Size Report 2024-2029 [234 Pages]

Fiber optics players are focusing on leveraging new revenue sources such as FTTX, Data Center Interconnect (DCI), and subsea fiber optic cable networks. These

[Contact Us](#)



Corning's Q1 Optical Communications results show the

Corning (GLW) GlassWorks AI cable solutions are specifically designed to meet the needs of data centers. The ongoing emergence of Gen AI is

[Contact Us](#)

Fiber Optic Cable Market Size, Share , Analysis 2035

Fiber Optic Cable Market Summary As per Market Research Future analysis, the Fiber Optic Cable Market Size was estimated at 16.22 USD Billion in

[Contact Us](#)



Contact Us

For datasheets, pricing, or custom fiber access solutions, please visit:
<https://frindel.es>