

# **Application of Fiber Optic Photoelectric Sensors**





## Application of Fiber Optic Photoelectric Sensors

---



### **Banner Engineering , Smarter Automation. Better**

Products listed in this catalog offer the versatility and performance needed for industrial automation applications along with premium availability to help drive

[Contact Us](#)

### **Fiber Optic Sensors Fiber Optic Amplifiers Photoelectric BF4RP PLC**

Product Information Brand Name auto-ni-csi  
Place Of Origin South Korea I/O Number 32  
Memory I/O Memory Operating Voltage 220 V  
Application OTHER Brand Name auto-ni-csi  
Country Of Origin

[Contact Us](#)



### **Photoelectric Sensor Market Size, Share, Growth 2035**

Photoelectric Sensor Market: By Technology: Thru-Beam, Retro-Reflective, Diffused; By Type: Laser Photoelectric Sensor, Fibre Optics Photoelectric Sensor; By

[Contact Us](#)

### **Omron E32-T16WR Fiber Optic Sensor , Features & Guide**

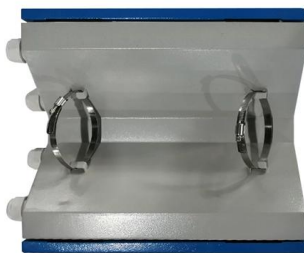
Examine the Omron E32-T16WR fiber optic through-beam sensor. Learn its specs, features, amplifier options, and applications in this detailed overview.



### Fiber Optic Sensors: Types, Working Principle

This article explores the different types of Fiber Optic Sensors, their working principles, and various applications. We'll delve into Intrinsic, Extrinsic, and

[Contact Us](#)



### Banner Engineering SM312F Sensor, Photoelectric,

Features: Compact, High-Performance Sensors with 18 mm Threaded Lens or Side Mount All sensing Modes Available, Some with Ranges to 30 m Signal Strength

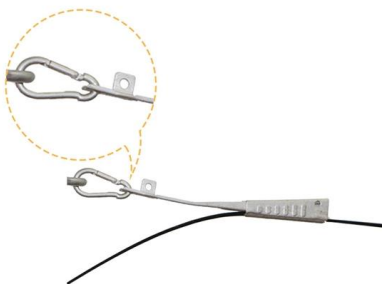
[Contact Us](#)



### Buy In Bulk Fiber Optic Sensor 2k+ , Alibaba

Selecting the appropriate fiber optic sensor is crucial for ensuring accurate, reliable, and long-term performance in diverse industrial, scientific, and commercial applications.

[Contact Us](#)





### **Banner Engineering VS3AN5XLP Photoelectric Sensor, Polarized**

10 to 30 VDC Voltage Supply, 1 ms Response Time, VS3 Series Retroreflective Mode Sensors VS series miniature self-contained sensors are designed for precision sensing in small areas previously

[Contact Us](#)



### **Understanding Fiber Optic's Role in Photoelectric Sensing**

A fiber optic sensor can be used in virtually any application where a photoelectric sensor is used because they both use the same principle to detect

[Contact Us](#)

### **VXB Bearings FU610 Fiber Optic Sensor For Diffuse Reflective Digital**

Fiber Optic Sensor for Diffuse Reflective Digital Sensing 1 m cable, M6 probe, black pro-grade photoelectric sensor (single unit) These fiber optic sensors are designed for accurate diffuse

[Contact Us](#)



### **Fiber Optic Sensors: Fundamentals, Principles & Applications**

Radiation absorption excites an orbital electron to a higher energy level. Radiation absorption creates electronic excited states that are trapped by localized defects for extended periods of time. Heating

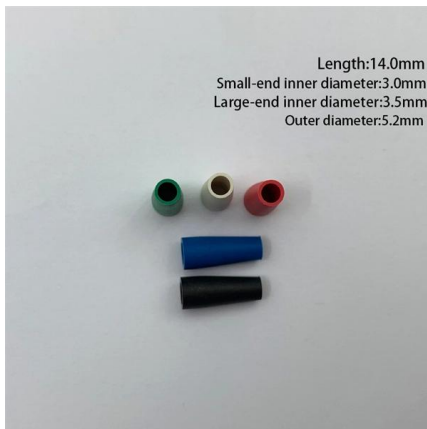
[Contact Us](#)



## Turning Fiber into a Sensing System: The Magic of Fiber

From energy and transportation to agriculture and cybersecurity, fiber sensing is quietly revolutionizing industries with applications once thought

[Contact Us](#)



## Fiber Optic Temperature Sensors: Types, Working

Explore the structure, working principles, advantages, and disadvantages of Fiber Optic Temperature Sensors for accurate temperature measurement in diverse

[Contact Us](#)

## Fiber Optic Sensors vs Photoelectric Sensors:

This article explores the fascinating differences between fiber optic sensors and photoelectric sensors. You'll learn how these sensors work, their

[Contact Us](#)



## Optical Fiber Sensors: Working Principle, Applications,

Brief theory of sensing principle, fabrication method, applications, advantages and disadvantages of the different fiber-optic sensors, are addressed.

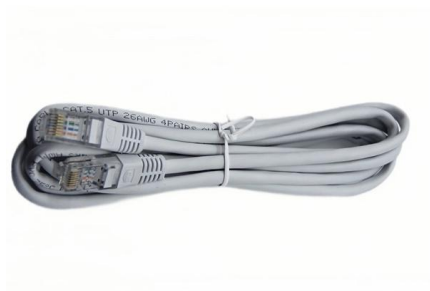
[Contact Us](#)



## Special Issue "Fiber Optic Sensors and Applications": An Overview

This Special Issue seeks to bring attention to the most recent results in the field of fiber optic sensors offered by their unique features and advantages, including new detection mechanisms, materials,

[Contact Us](#)



## Overview of Photoelectric Sensors , OMRON Industrial

Photoelectric Sensors detect photo-optical workpieces. OMRON provides many varieties of Sensor, including diffuse-reflective, through-beam, retro-reflective,

[Contact Us](#)

## Gabon Optical Sensor Market , Analysis, Outlook & Size 2032

Market Forecast By Type (Intrinsic Optical Sensors, Extrinsic Optical Sensors), By Operation (Through-Beam, Retro-Reflective, Diffuse Reflection), By Sensor Type (Fiber Optic Sensor, Image Sensor,

[Contact Us](#)



## Banner Engineering VS3RN5XLP Photoelectric Sensor, Polarized

10 to 30 VDC Voltage Supply, 1 ms Response Time, VS3 Series Retroreflective Mode Sensors VS series miniature self-contained sensors are designed for precision sensing in small areas previously

[Contact Us](#)



### Fiber Optic Sensors vs Photoelectric Sensors:

Ever wondered why some sensors use light to measure changes? This article explores the fascinating differences between fiber optic sensors and

[Contact Us](#)



### US Optical Sensors Market Size & Share Outlook to 2030

The United States Optical Sensors market is segmented by Technology (Hyperspectral imaging, Near IR Spectroscopy, Photo-Acoustic

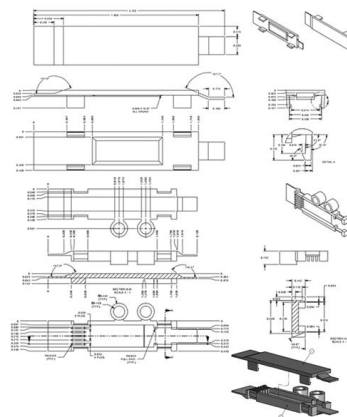
[Contact Us](#)



### RS PRO 2199009 PLASTIC FIBER OPTIC, REFLECTIVE, M4, LENGTH

RS PRO fiber Optic Sensors Introducing the range of RS PRO fiber Optic Sensors, a versatile and cost-effective sensing solution for a wide range of industrial and automation environments. This high

[Contact Us](#)



### E32-tc200a Photoelectric Fiber Optic Sensor

Electro Automation Industries - Offering low price E32-tc200a Photoelectric Fiber Optic Sensor in New Area, Faridabad with product details & company information.

[Contact Us](#)





## **SICK Fibre-Optic Photoelectric Sensor PNP M12 Plug WLL260-F440**

SICK WLL260-F440 fibre-optic photoelectric sensor, PNP, M12 plug. Ensures high-precision object detection for industrial automation and material handling applications.

[Contact Us](#)



## **Contact Us**

---

For datasheets, pricing, or custom fiber access solutions, please visit:  
<https://frindel.es>