

Andorra Consulting Optical Module NRZ





Andorra Consulting Optical Module NRZ



MATE-10010A

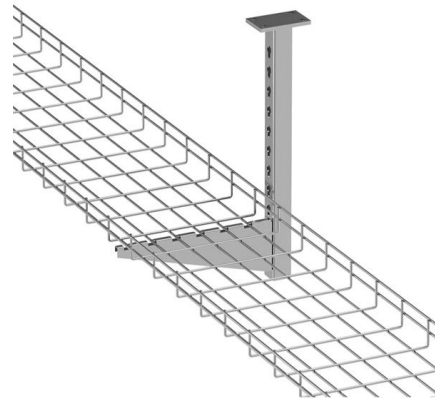
The MATE-10010A provides clock recovery capabilities for optical non-return-to-zero (NRZ) and pulse amplitude modulation 4-level (PAM4) signal and supports a variety of standards such as 50GBASE

[Contact Us](#)

100G Optical Module Mainstream Model Analysis: 100G QSFP28

Using 4-channel 25G NRZ wavelength division multiplexing technology (LWDM4) converts 4-channel 25Gbps electrical signals into 4-channel LAN WDM optical signals are then

[Contact Us](#)



100G Optical Module Mainstream Model Analysis: 100G QSFP28

The QSFP28-100G-SR4 optical module is a parallel 100G optical module with 4 25G NRZ multimode parallel technology. At the transmitting end, the electrical signal is converted into an

[Contact Us](#)

Optical Module: A Comprehensive Analysis from Source

NRZ modulation is a traditional optical module modulation method, and its principle is relatively simple. Under NRZ modulation, the high/low optical





NRZ vs RZ: Performance analysis of SMF with different laser sources at

For the high capacity data transmission, the optical network is emerging towards the Non-Return-Zero (NRZ) and Return-Zero (RZ) modulation formats as both the techniques are cost effective. In this

[Contact Us](#)

Arista Networks QSFP-100G-SR4-I Compatible

The Arista QSFP-100G-SR4-I Compatible QSFP28 Optical Transceiver Module is designed for use in 100GBASE Ethernet throughput up to 100m over OM4

[Contact Us](#)



European Union Exports of lenses, prisms, mirrors and other optical

European Union Exports of lenses, prisms, mirrors and other optical elements to Andorra was US\$2.12 Million during 2024, according to the United Nations COMTRADE database on international trade.

[Contact Us](#)



Exploring the Advantages of 200G (8x25G NRZ) Optical

GIGALIGHT, which has focused on optical communication for eight years, directs your attention to the 200G (8x25G NRZ) technology, delving into its

[Contact Us](#)



Optics Andorra-Glasses Andorra, Òptica Prestigi

Welcome to Sorteny-Prestigi Optics. Your optic in Andorra. Visit us and we will advise you on the best guidelines for their view.

[Contact Us](#)

QEPT-50G , Amphenol Aerospace

The QEPT 200G PAM4 Optical Module is a versatile and high-performance solution designed to meet the demands of today's data-intensive applications. With

[Contact Us](#)

Wall Mount Cabinet Server Racks



A 50-Gb/s NRZ Receiver Targeting Low-Latency Multi-Chip Module Optical

This paper presents a 50-Gb/s optical receiver chipset in 45-nm silicon-on-insulator (SOI) CMOS. It comprises a trans-impedance amplifier (TIA) cascaded by a clock and data recovery circuits (CDR).

[Contact Us](#)

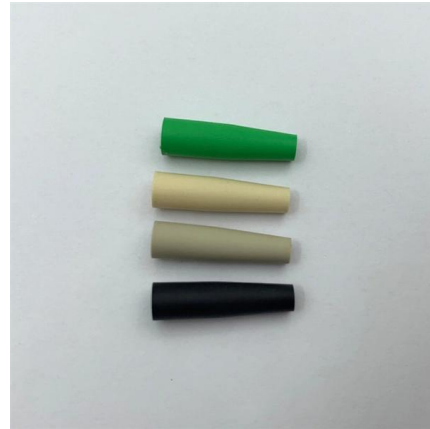




Coherent Optics Guide: 400G/800G vs NRZ PAM4 Comparison

Learn coherent optics technology, modulation techniques (QPSK/QAM), DSP functions, and how it enables 400G/800G long-distance transmission vs NRZ/PAM4.

[Contact Us](#)



Design of High-Speed Optical Receiver Module for 160Gb/s NRZ and

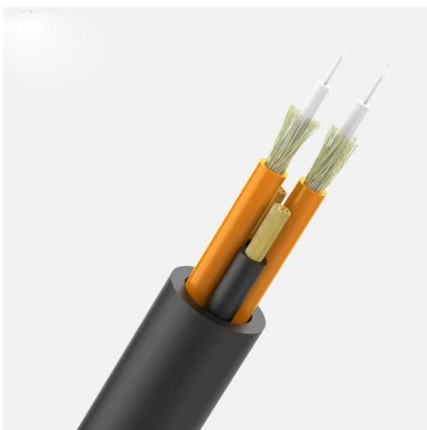
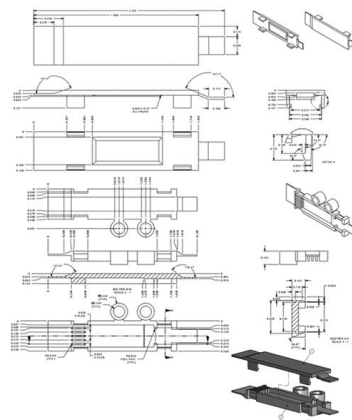
In this paper, we propose a high-speed optical receiver module with four channels. The optical receiver module was composed of a four-channel PIN photodiode array and a four-channel linear

[Contact Us](#)

NRZ-M4 Optical Manufacturing TDEC Analysis Software

DSA8300 NRZ-M4 optical analysis software The Tektronix NRZ-M4 application provides NRZ signaling analysis, including TDEC (Transmitter and Dispersion Eye Closure) measurement. The application

[Contact Us](#)



Andorra , Imports and Exports , World , Lenses, prisms, mirrors and

The value of exports of commodity group 9002 "Lenses, prisms, mirrors and other optical elements, of any material, mounted, being parts of or fittings for instruments or apparatus, other than such

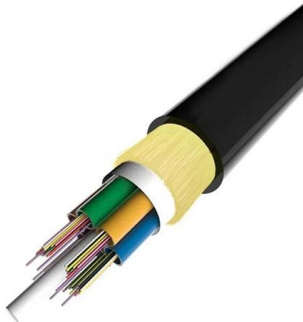
[Contact Us](#)



Overview of 100G Optical Modules and Modulation

Explores 100G Optical Modules types and modulation techniques, focusing on PAM4 and coherent optics to improve performance and bandwidth.

[Contact Us](#)



FS Community

Hier sollte eine Beschreibung angezeigt werden, diese Seite lässt dies jedoch nicht zu.

[Contact Us](#)

PAM4 vs NRZ Optical Transceivers: 100G Link Reality Check

Learn how PAM4 modulation optical transceivers outperform NRZ for 100G+ links in data centers, with specs, pitfalls, and ROI from a real deployment case.

[Contact Us](#)



8-Port PLC Fiber Splitter Box

12-Port SC Fiber Splitter Box

Size: 235*215*75mm
Material: ABS, IP65,



The Role of NRZ in Modern Optical Networks

Discover how NRZ encoding influences the performance and design of modern optical networks, including its interactions with other technologies.

[Contact Us](#)



Simulation study and analysis in transmitting RZ and NRZ coded

Implementation of simulation model of transmitting RZ and NRZ coded signals in 10Gbps optical line with optical amplified sections For the purpose there are developed two simulation models, which are

[Contact Us](#)



Optimum Filter Bandwidths for Optically Preamplified NRZ Receivers

Both for NRZ and 33% duty cycle RZ, optical filter bandwidths of around twice the data rate are found to be optimum. Receivers using RZ coding are shown to closely approach the quantum limit, and thus

[Contact Us](#)



CDA Systems

We build cubesat and microsatellite components. We offer a wide range of aero products. Create your revolutionary optics solution with our best technologies. Best in-class ground station technology. Best

[Contact Us](#)



Single-Lambda 100G Pluggable Optics Solution

With fewer components in the pluggable module, we can scale manufacturing volume and cost to the level of today's 10G SFP+ optics. Through

[Contact Us](#)



(PDF) Eye-Diagram-Based Evaluation of RZ and NRZ

In this evaluation, we have compared two popular return to zero (RZ) and non-return to zero (NRZ) modulation formats in a 100-km and 400-km single

[Contact Us](#)



PAM4 vs NRZ: Which is Better for 50G Transceivers

PAM4 vs NRZ, are the two most commonly used modulation technologies, each with its own advantages and applications. This article will

[Contact Us](#)



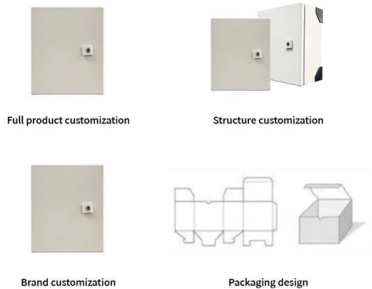
Performance Evaluation of FSO Link Under NRZ-RZ

Performance evaluation for a free space optical (FSO) link with latest wireless optical communications (WOC) vendor's networks specifications is

[Contact Us](#)



OEM/ODM
CUSTOMIZATION AVAILABLE



QEPT 4-TRX 100G NRZ

100 Gb/s High-Speed Optical Pluggable Module
HIGH PERFORMANCE UNDER EXTREME
CONDITIONS, the Amphenol AOP 28Gbps
extended temperature " Quad Embedded
Pluggable

[Contact Us](#)



HPE Aruba JL309A Compatible 100GBASE-SR4

HPE Aruba JL309A Compatible 100GBASE-SR4 QSFP28 Optical Transceiver Module (MMF, 850nm, 100m, MTP/MPO, DOM) The HPE Aruba JL309A

[Contact Us](#)



Silicon Photonics Platform for 50G Optical Interconnects

PAM-4 acceptable for long links, but NRZ modulation preferred for short, latency sensitive links At 50Gb/s channel speed, Wavelength Division Multiplexing is essential for module scaling

[Contact Us](#)



Contact Us

For datasheets, pricing, or custom fiber access solutions, please visit:
<https://frindel.es>