

# **Advantages and disadvantages of the integrated cable tray IK10**





## Overview

---

Improved Safety: Cables remain organized and secure, reducing the risk of electrical hazards. Steel: Electric shielding; low thermal expansion Stainless steel: Superior corrosion resistance; withstands high temperatures.

Advantages and disadvantages of using cable tray: easy installation, ventilation, cost-effective, limited load capacity. Whether you're running power cables, data lines, or control wiring, the right choice between cable trays, baskets, ladders, and trunking can save time, reduce maintenance, and extend system.



## Advantages and disadvantages of the integrated cable tray IK10

---



### Cable Tray Today: An overview , Cable Tray Institute

The advantages of these types of cable tray are installation speed and maximum cable freedom. These systems were generated to allow installers to side fill the cables, eliminating the stresses of pulling

[Contact Us](#)

### Understanding IK Ratings

Understanding IK Ratings for Electrical Enclosures In industrial environments, enclosures face not only dust and water ingress but also physical

[Contact Us](#)



### Understanding cable tray systems

Cable tray systems play an essential role in organizing and supporting cables, conduits, and wires. In this article, we'll explore the different types of cable tray systems, their advantages, and installation

[Contact Us](#)

### Cable tray vs cable basket vs cable ladder vs cable

This article will discuss the four most common types of cable containment and their uses: cable tray, cable basket, cable ladder, and cable

[Contact Us](#)



### Basorplast PVC cable trays

Electrolytic Refining an electrolytic process is the use of electrolysis industrially to refine metals or compounds at a high purity and low cost. some examples are the Hall-Héroult process used for aluminum

[Contact Us](#)



### Cable Trays Pros & Cons: Do You Know How to Use

In this article, we'll give you the lowdown on cable trays, including what's to like and what's to loathe, as well as how to optimize your cable trays for

[Contact Us](#)



### IK10 Display Design Guide: Industrial Glass, Thickness

Learn how to design IK10-rated industrial displays: impact tests, glass thickness selection, and bonding methods for maximum durability.

[Contact Us](#)





## Types of Cable Trays - Purpose, Advantages,

Cable tray systems are alternatives to wire ways and electrical conduit, which completely enclose cables. Cable trays are capable of supporting all types of

[Contact Us](#)



## Advantages and Disadvantages of Using Cable Tray

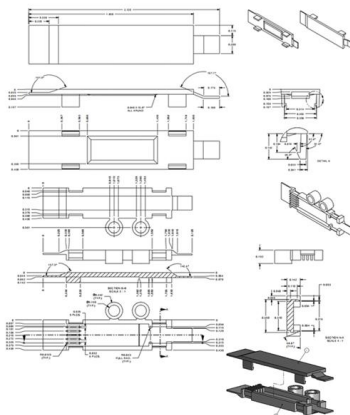
While cable trays offer numerous benefits, it's equally important to consider the advantages and disadvantages of using cable tray systems in order

[Contact Us](#)

## Cable Tray Systems Explained: The Right Solution for

In this guide, we explain what cable trays are, the main types available, how to choose the correct size and duty rating, and what to consider when designing a

[Contact Us](#)



## Integrated cable charger vs. socket type plug: advantages

Among the most notable advantages are convenience, fast charging start-up, and reduced wear and tear on the car's own cable. As a disadvantage, the integrated cable may limit the

[Contact Us](#)



## Cable Trays and Accessories

Cable Trays and Accessories are designed to meet most requirements of cable and electrical wire installations and comply to local international standards of

[Contact Us](#)



## Types of Cable Trays - Purpose, Advantages, Disadvantages

Cable trays are components of support systems for power and communications cables and wires. A cable tray system supports and protects both power and signal cables and facilitates

[Contact Us](#)

## Types of Cable Trays - Purpose, Advantages,

Cable tray is alternatives to wire ways and electrical conduits, which completely enclose cables. Study types of cable trays, purpose, advantages.

[Contact Us](#)



## Advantages and disadvantages of various cable tray equipment-

The other is a tray-type cable tray. This kind of equipment is widely used in petrochemical, electronic profession, light industry and other fields, the advantages are beautiful and generous appearance,

[Contact Us](#)



## A Guide to Impact Rating: IK07 vs IK08 vs IK09 vs IK10

### Conclusion and Recommendations

Understanding the nuanced differences between IK07, IK08, IK09, and IK10 ratings is essential for informed

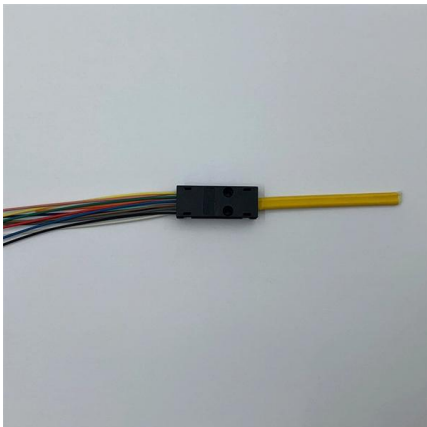
[Contact Us](#)



## White Paper #2402 Comparing Cable Tray and Cable Bus for Power

RE: Comparing Cable Tray and Cable Bus for Power Distribution Systems In keeping with our commitment to our valued partners for custom-engineered power distribution products, Powell's team

[Contact Us](#)



## What Are Advantages of The Best Cable Rack?

Discover the advantages of the best cable rack in 2025--ventilation, durability, and cost savings from top cable tray manufacturers.

[Contact Us](#)



## CABLE MANAGEMENT SYSTEMS CABLE TRAYS & ACCESSORIES

We manufacture a wide range of products capable of providing the characteristics which respond to the proposed application, along with quality of assembly, speed of installation, and cost-saving cable trays.

[Contact Us](#)



## Types of Cable Trays: Purpose, Advantages,

Explore all types of cable trays--ladder, perforated, basket, solid, and channel. Learn their uses, materials, pros, cons, and key differences.

[Contact Us](#)



## Why IK10 Vandal-Proof Enclosures Are Essential for EV

IK10 vandal-proof enclosures are essential for protecting chargers from vandalism, weather, and wear-and-tear, ensuring safety, durability, and cost

[Contact Us](#)

## Advantages and Disadvantages of Integrated Circuits (ICs)

Advantages of Integrated Circuits The major advantages of integrated circuits over those made by interconnecting discrete components are as follows : Extremely small size - Thousands

[Contact Us](#)



## Cable Trays , How it works, Application & Advantages

Explore the world of cable trays, their types, materials, benefits, standards, and installation considerations for efficient cable management.

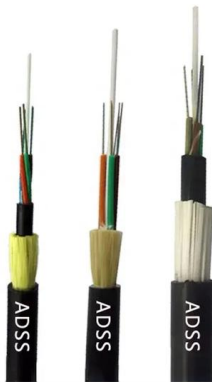
[Contact Us](#)



## Navigating Cable Tray Challenges: Risks and Solutions for Proper

Explore the potential pitfalls of improper light duty cable tray usage in our latest blog. Discover the downsides, from increased maintenance costs to compromised safety, and find

[Contact Us](#)



## Cable Tray vs Cable Basket vs Cable Ladder vs Cable

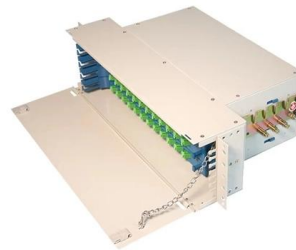
Compare cable tray, basket, ladder & trunking systems. Learn the pros, cons, and best uses for each type, with links to our UK product ranges.

[Contact Us](#)

## What are IK Ratings - The Ultimate Guide

IK Rating IK stands for "Impact Protection", with the "K" referring to Kinetic. It is therefore an extent to which electrical equipment or housing guard

[Contact Us](#)



## Inverse Kinematics Techniques in Computer Graphics: A Survey

Abstract Inverse kinematics (IK) is the use of kinematic equations to determine the joint parameters of a manipulator so that the end effector moves to a desired position; IK can be applied in many areas,

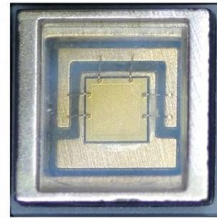
[Contact Us](#)

## Cost-Effective Solutions: The Advantages of Cable Trays



Cable trays have become a preferred option in industries because of their convenience and cost-saving advantages. This article examines the reasons

[Contact Us](#)



## Contact Us

---

For datasheets, pricing, or custom fiber access solutions, please visit:  
<https://frindel.es>