

Advantages and disadvantages of relay protection hard pressure plates





Advantages and disadvantages of relay protection hard pressure pl



Comparison of Electrical Protection Relays

Learn the comparison of electrical protection relays with brief details such as function, application, advantages, and disadvantages.

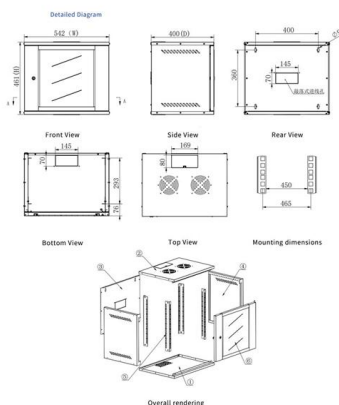
[Contact Us](#)

What is an Electrical Relay? Operating Principle, Types

Learn about What is an Electrical Relay? Including its working principle, its contact types, testing of it, and applications in detail, A relay is essentially an electrically



[Contact Us](#)



POWER SYSTEM PROTECTION

Backup protection relays provide secondary protection in case primary protection relays fail to operate or if there's a delay in their operation. They help ensure the reliability and safety of power systems.

[Contact Us](#)

The basics of power system protection that every

We will now discuss certain attributes of relays which are inherent to the process of relaying. In general, relays do not prevent damage to equipment:



Protective Relay: Working, Types, and Applications

Learn about protective relays, their working principle, types, and applications in power systems. Discover how relays protect transformers, generators, and transmission lines from faults.

[Contact Us](#)



Protective relay

Microprocessor-based solid-state digital protection relays now emulate the original devices, as well as providing types of protection and supervision impractical with

[Contact Us](#)



Buchholz Relay , Construction , Operation , Advantages

Advantages of Buchholz Relay: It is the simplest form of transformer protection. It detects the incipient faults at a stage much earlier than is possible with other

[Contact Us](#)





Flexibility and Reliability of Numerical Protection Relay

Numerical protection devices offer several advantages in terms of protection, reliability, troubleshooting and fault information. The distinction

[Contact Us](#)



Protective Relay : Working, Types, Circuit & Its

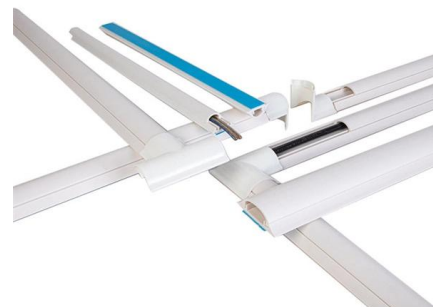
There are different types of relays available and each type is used based on the requirement. So this article discusses an overview of a protective relay or

[Contact Us](#)

Protective relay

Electromechanical protective relays at a hydroelectric generating plant. The relays are in round glass cases. The rectangular devices are test connection blocks,

[Contact Us](#)



Buchholz relay advantages and disadvantages

Buchholz relay advantages and disadvantages Advantages of Buchholz Relay 1 is an important protection and monitoring device for insulated liquid filled transformer. 2.This is the

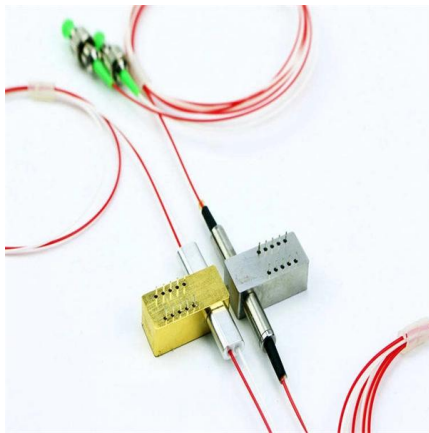
[Contact Us](#)



Fault Protection Relays: Types, Advantages, and

Learn about the main types of relays for fault protection in power systems, their features, benefits, and drawbacks, and how to choose the best one.

[Contact Us](#)



Challenges and Development Prospects of Relay Protection Technology

With the rapid development of the third industrial revolution centered on information technology, the intelligence of line relay protection devices is constantly improving and its operating

[Contact Us](#)

Fundamentals of Relay Protection Design

Relay protection is a crucial aspect of electrical power network transmission and distribution systems, ensuring the safety and reliability of the overall network. Designing an effective

[Contact Us](#)



Types of Relay in Power System: Types, Applications

This article is about types of relays, we will learn the functions, applications, advantages, disadvantages, and applications of different types of relays.

[Contact Us](#)



The Role of Hard Plates in Heavy



Engineering Applications

Benefits of Hard Plates in Heavy Engineering Applications Hard plates have become increasingly popular for heavy engineering applications due to their

[Contact Us](#)



What Are The Advantages and Disadvantages Of Relays?

Like any component, relays have their own advantages and disadvantages of being used within an electrical system or circuit. In this article,

[Contact Us](#)

relays importance advantage disadvantage and solution

Relays play an essential role in electrical systems, offering advantages like electrical isolation, remote control, and protection. Despite potential

[Contact Us](#)



relays importance advantage disadvantage and solution

Proper maintenance and handling can help extend its life. Relays play an essential role in electrical systems, offering advantages like electrical isolation,

[Contact Us](#)

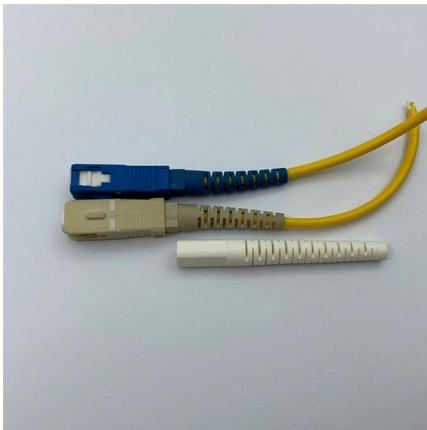




Why use relays versus a safety PLC logic solver

Examples of hard-wired systems include very high integrity applications (e.g. HIPPS - High Integrity Pressure Protection Systems) where the lack of software makes

[Contact Us](#)



Distance Relay : Working, Theory, Types, Advantages

So, this article has provided clear clarification on distance relay theory, working, types, advantages, applications, and drawbacks. Also, know

[Contact Us](#)

Types of Electrical Protection Relays or Protective Relays

? Key learnings: Protective Relay Definition: A protective relay is an automatic device that senses abnormal conditions in electrical circuits and

[Contact Us](#)



What Are Programmable Relays? A Beginner's Guide to Automated

Discover how programmable relays provide an easy and cost-effective solution for adding automated control to electrical systems, lighting, industrial equipment, and more.

[Contact Us](#)



relays importance advantage disadvantage and solution , enProducts

Proper maintenance and handling can help extend its life. Relays play an essential role in electrical systems, offering advantages like electrical isolation, remote control, and protection.

[Contact Us](#)



Motor Protection Relays: Types, Pros, and Cons

Learn how to choose the best motor protection relay for your application. Compare the advantages and disadvantages of electromechanical, solid-state,

[Contact Us](#)



Contact Us

For datasheets, pricing, or custom fiber access solutions, please visit:
<https://frindel.es>