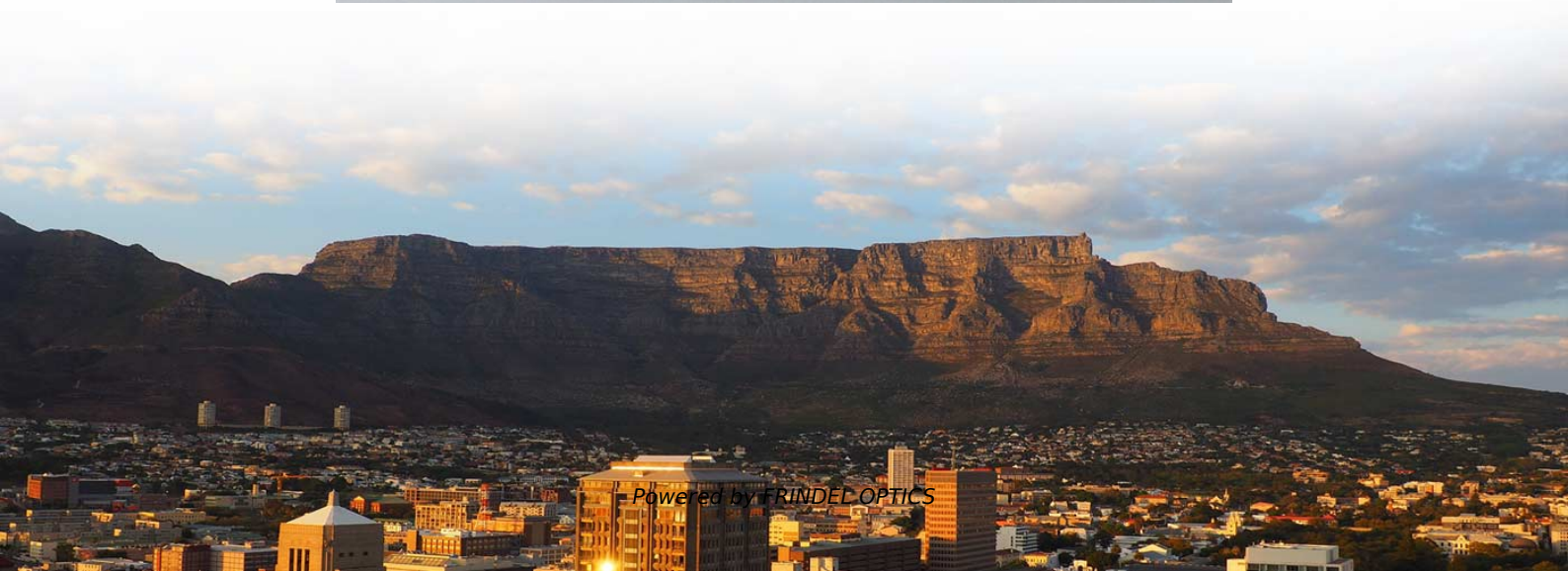


4-Circuit Lighting Distribution Box





4-Circuit Lighting Distribution Box



KLDS4 Hager 4 Way Klik Lighting Distribution Unit

Klik marshalling boxes are used in conjunction with Klik 3 and 4 pin plugs to connect luminaires within an area. The Klik marshalling box can be separated into two

[Contact Us](#)

Hager KLDS4 , Klik Marshalling Box 4 Way 4 Pole Lighting Distribution

Get Klik Marshalling Box 4 Way 4 Pole Lighting Distribution Unit 16A White at wholesale prices at Rexel UK - your electrical distributor. Join Now!

[Contact Us](#)



Distribution Boxes: Types and Functions

A distribution boxes acts as the load center and main distributor of electrical power within a building. Also called a distribution board, panel board,

[Contact Us](#)

SOLARIS , Your Trusted Partner . 4 Way Distribution

The HT-4 distribution box is constructed with high-quality materials, ensuring long-lasting performance and safety. Whether for residential, commercial, or industrial



Distribution Boxes

Get the best quality distribution boxes & other lighting with TradeSparky - UK electrical wholesaler for domestic and industrial supply. Shop online today

[Contact Us](#)



brennenstuhl® , Licht

Hier sollte eine Beschreibung angezeigt werden, diese Seite lässt dies jedoch nicht zu.

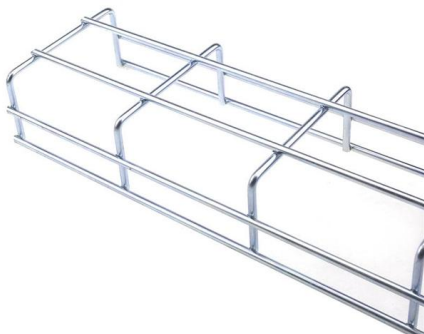
[Contact Us](#)



PORT -- Power Distribution Boxes

LEX CAMLOCK 400A THRU W/ (4) 100A CAMLOCK
This Hammerhead(TM) portable power distribution box breaks 400 Amp, 3 Phase, 4 Pole, 5 Wire power into (4)

[Contact Us](#)





Electrical Distribution Boxes for Power Distribution

From decentralized energy, signal and data distribution to distribution boxes for smart buildings, we offer the right solution. We mount any electronics in the

[Contact Us](#)



Hager Klik KLDS4 Lighting Distribution Box 4 Outlets

Description Specification Klik KLDS4 a 4 pin marshalling box part of the Hager Klik lighting distribution connector system. Plug-in convenience and versatility for

[Contact Us](#)

LIGHTING DISTRIBUTION BOX 4 OUTLET

KLDS4 The Klik Lighting management system from Hager. speeds up a previously very time consuming job. by making it extremely simple to connect a large.

[Contact Us](#)



Hager KLDS4 Klik Distribution Box 4 Outlet

The Klik range is a secure lighting and control connection system which has been developed by Hager. From a single plug-in action, it provides electrical and

[Contact Us](#)



flex7 Lighting Distribution Boxes

Externally, its tough anodised aluminium body makes our lighting distribution box one of the most robust on the market.

[Contact Us](#)



Pre-Terminated Patch Panel

- Standard 19" width
- Max 144 fibers in 1U
- MPO/Fusion Dual-Purpose



Removable Cable Management Tray



Transparent Front Cover



High-Quality Metal Coated Steel

Lighting Distribution Panel

Lighting Distribution Panel Lighting Panel (LP) sub-distribution boards offer the right low voltage (LV) solution for large buildings by dividing the electrical power feed

[Contact Us](#)

flex7 Lighting Distribution Boxes

Flex7 Lighting Distribution Boxes are both designed and fully manufactured in the UK. This means that you'll never have supply issues, waiting for our products to

[Contact Us](#)



Hager Klik 4 Way Lighting Distribution Unit , Lighting Connection

LIGHTING DISTRIBUTION BOX 4 OUTLET the need for individual wiring or circuit isolation. Complies with BS 5733 Main terminal rating 16 Amps Socket outlet rating 6 Amps Separate terminals for

[Contact Us](#)



Amazon : 4 Circuit Breaker Box

Price and other details may vary based on product size and color. Need help?

[Contact Us](#)



Dual Control/Supply Lighting Distribution Box

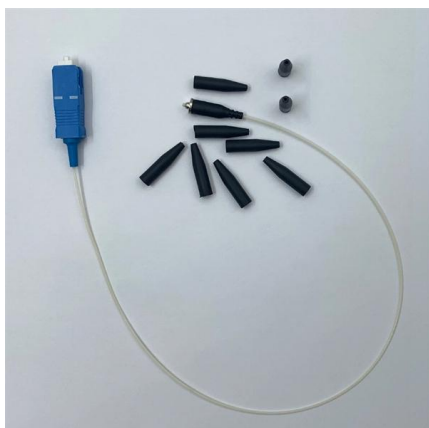
Dual Control/Supply Lighting Distribution Box Use to control 2 groups of luminaires independently of each other (same circuit, separate control) or to control 2

[Contact Us](#)

Hager KLDS4 Klik Distribution Box 4 Outlet

From a single plug-in action, it provides electrical and mechanical connection for lighting circuits. The Klik KLDS4 is a 4 Way Lighting Distribution Box and it makes

[Contact Us](#)



Distribution Boxes Explained: Types, Functions, and

Learn about distribution boxes, their types, functions, and safety features to ensure efficient and secure electrical power distribution in any building.

[Contact Us](#)

Hager Klik KLDS12 Lighting Distribution



Box 12 Outlets

Description Specification Klik KLDS12 a 4 pin marshalling box part of the Hager Klik lighting distribution connector system. Plug-in convenience and versatility for

[Contact Us](#)



LIGHTING DISTRIBUTION BOX 4 OUTLET

Hager Klik 4 Way Lighting Distribution Unit KLDS4 The Klik Lighting management system from Hager. speeds up a previously very time consuming job. by making

[Contact Us](#)

Hager KLDS4 Klik 4 Way Lighting Distribution Box 16A 4P

Buy the Hager KLDS4 Klik 4 way lighting distribution box. 4P marshalling box in white for Klik 4 lighting distribution systems, rated 207/230/253V.

[Contact Us](#)



Dual Control/Supply Lighting Distribution Box

Use to independently control two groups of luminaires, each separately supplied by its own protective device at the distribution board.

[Contact Us](#)



Lighting Accessories , Power Distribution Boxes

Power distribution boxes deliver structured, professional solutions for managing lighting power in complex environments. Whether you're organizing circuits in

[Contact Us](#)



LIGHTING DISTRIBUTION UNITS

The Olson range of Lighting Distribution Units are designed & manufactured in the UK. Constructed from Zintec steel and powder coated in white RAL9010.

[Contact Us](#)

Contact Us

For datasheets, pricing, or custom fiber access solutions, please visit:
<https://frindel.es>