

24-core large-diameter optical fiber for field operations





24-core large-diameter optical fiber for field operations



24 Core and 48 Core Fiber Optic Cable

24 Core and 48 Core Fiber Optic Cable Fiber optic cable is a cable containing one or multiple optical fibers that are used to transmit the signal. The optical fiber

[Contact Us](#)

Multimode Fiber Data Sheet

OM1 Fiber 62.5/125 This fiber is a graded-index multimode fiber suitable for transmission speeds of up to 10 Gb/s. It has a 62.5 um core diameter and a 125 um cladding diameter.

[Contact Us](#)



OM4 24 Core Armoured Fibre Cable

Buy online 24 core OM4 multimode Unitube Optical fibre cable with corrugated steel tape armoured outer jacket. Cut to order, price per metre.

[Contact Us](#)

Large Core Fiber Optics

Large Core End Lit Fiber - How it works: Large core end lit fiber works in same manner as traditional optical fiber and offers some advantages over some

[Contact Us](#)



Reaching the pinnacle of high-capacity optical

This is done by designing and fabricating a low-loss 19-core multi-core fiber with randomly-coupled cores, a standard cladding diameter, and

[Contact Us](#)



Large-core Fibers - multimode, single-mode, effective

Large-core multimode fibers are frequently used for the passive transport of light, for example in illumination, laser material processing, and for optical pumping of solid

[Contact Us](#)



World's Largest Transmission Capacity with Standard

World's largest transmission capacity of 118.5 Tera-bit/s is achieved among a standard diameter optical fiber using a multi-core transmission system

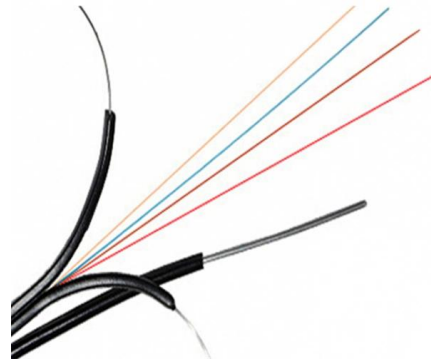
[Contact Us](#)



World Record Achieved in Transmission Capacity and

To date, Sumitomo Electric has developed a randomly coupled 4-core optical fiber, a randomly coupled 7-core optical fiber, and a randomly

[Contact Us](#)



Technical Specifications for 24fiber/48fiber armoured Underground

4.1. Fiber: The Dual window Single Mode Cladded Optical Fibers to be used in the Optical Fiber Cable should meet the ITU-T-G652D requirements. The fiber to be used should be from reputed

[Contact Us](#)



Multimode Optical Fiber Selection & Specification

Laser-Optimized 50-µm MultiMode Fiber (LOMMF) is the recommended fiber type in today's Local Area Network (LAN) and Data Center (DC) environments in conjunction with 850 nm vertical-cavity

[Contact Us](#)



Understanding Mode Field Diameter (MFD) in Hyperscale and AI Data

Understanding Mode Field Diameter (MFD) in Hyperscale and AI Data Centers Prologue This white paper continues our series aimed at clarifying the technical nuances of deploying single-mode optical

[Contact Us](#)



24 Core Fiber Optic Cables , Products & Suppliers , GlobalSpec

Find 24 Core Fiber Optic Cables related suppliers, manufacturers, products and specifications on GlobalSpec - a trusted source of 24 Core Fiber Optic Cables information.

[Contact Us](#)



FibreFab-Fibre-Optic-Cable-Catalogue

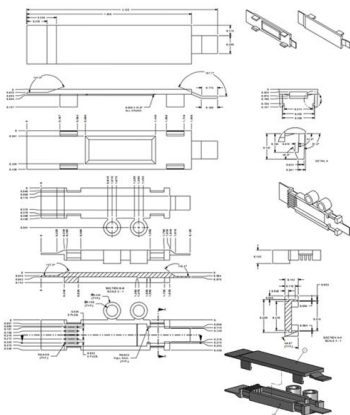
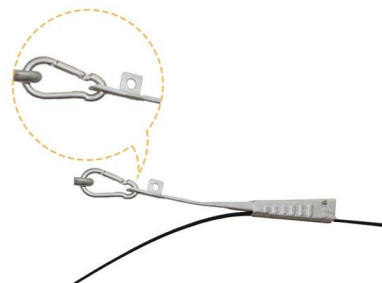
FibreFab Established in 1992, FibreFab is a leading provider of fibre optic connectivity products used in data communications and Telecommunication networks. The Company designs, develops,

[Contact Us](#)

24 Cores Distribution Fiber Optic Cable

Quality of the product is tested according to IEC Standards. Excellent crush and tensile resistance. Available in Single mode or Multi mode according to the demand of the customers.

[Contact Us](#)



24 Core Underground Armoured Singlemode Fibre Optic Cable

The 24 Core Underground Armoured Singlemode Fibre Optic Cable is engineered for high-performance data transmission in challenging underground environments. Featuring 24 singlemode fibers with a

[Contact Us](#)



24 Core and 48 Core Fiber Optic Cable

The optical fiber elements are typically individually coated with layers and contained in a protective tube suitable for the environment where the cable will be deployed.

[Contact Us](#)



24 Core Multimode Fiber Optic Cable

This advanced cable features 24 cores, allowing for a significant

[Contact Us](#)

24 Core Multimode Fiber Optic Cable

The 24 Core Multimode Fiber Optic Cable is designed to meet the growing demands of high-speed data transmission in various networking applications. This

[Contact Us](#)



Applications and Development of Multi-Core Optical

Multi-core optical fiber, with its ability to transmit multiple signals simultaneously, has emerged as a promising solution to meet this demand.

[Contact Us](#)



Product Specifications Armored Indoor/Outdoor Plenum Fiber Optic

Scope This document establishes the specification requirements for a 24 (twenty-four) fiber indoor/outdoor distribution armored fiber optic cable. This cable construction consists of a distribution

[Contact Us](#)



World's first space division multiplexing long-distance

In the demonstration experiment, we demonstrated a high-capacity transmission of 455 terabits per second over a transmission distance of 53.5km

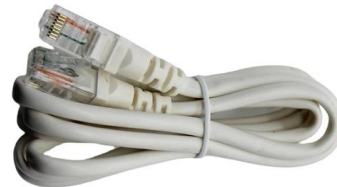
[Contact Us](#)



Product Specifications Armored Indoor/Outdoor Plenum Fiber Optic

Tight Buffer Distribution Fiber Optic Cable Cable Cross Section Scope This document establishes the specification requirements for a 24 (twenty-four) fiber indoor/outdoor distribution armored fiber optic

[Contact Us](#)



24 Core Optical Fiber cable

Buy 24F Ofc cable at best price - Metallic Armored (Optical Fiber Cable) for durable, high-speed data transmission. Ideal for telecom, railways,

[Contact Us](#)





An Introduction to Large Core Optical Fibers

You may recognize these types of fibers by industry specifications such as OM2, OM3, and OM4 or by brand names like Corning® ClearCurve® and OFS®

[Contact Us](#)



24F Single Sheath Metallic Armour Optical Fibre Cable

24F Single Sheath Metallic Armour Optical Fibre Cable is a high-performance optical cable designed to deliver reliable connectivity in a variety of installation environments.

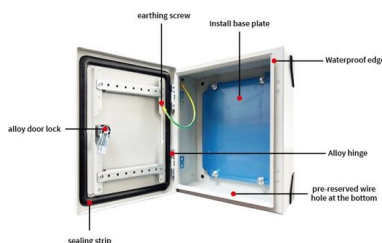
[Contact Us](#)



First-of-Its-Kind, Large-Capacity 12-Core Optical Fiber: Successful

Multicore optical fiber, on the other hand, has multiple cores passing through a single optical fiber, which drastically

[Contact Us](#)



Large Core Fibers

Large core fibers from Fibercore. Highly customizable designs with a wide range of coatings available. Contact us today.

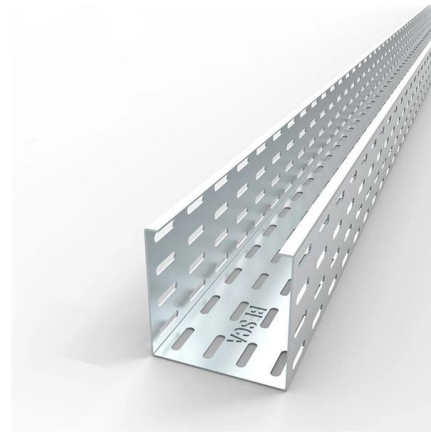
[Contact Us](#)



SMF-28 Ultra Optical Fibers , SMF-28 Ultra 200 and 242

SMF-28 Ultra single-mode optical fibers combine industry-leading attenuation, macrobend performance exceeding ITU-T G657.A1, and 9.2 μm mode field

[Contact Us](#)



Large-Core Fibers

Conclusion Large-core optical fibers play a crucial role in advancing various technological fields, from telecommunications to industrial processing. Their

[Contact Us](#)

Contact Us

For datasheets, pricing, or custom fiber access solutions, please visit:
<https://frindel.es>