



FRINDEL OPTICS

220V Test of Household Distribution Box





Overview

Always ensure your multimeter has a CAT III 600V or CAT III 1000V rating for safely testing 220v systems. Additionally, look for features like auto-ranging, which automatically selects the correct measurement range, simplifying operation and reducing the chance of error. The process of confirming the presence and strength of 220-volt or 240-volt power is a common task in home diagnostics and appliance installation. This higher voltage, often referred to interchangeably as 220V, 230V, or 240V, is typically reserved for high-current appliances like electric clothes. How To Test The 220 Voltage Wires?

To check the 220 voltage wire, we require a multimeter and a power circuit, and we will tell you the voltage present in a wire and the difference between 110V, 220V, and 240V. Testing 220V electrical wires is a fundamental aspect of ensuring an electrical system's proper functioning and safety.



220V Test of Household Distribution Box

Product Catalog



How to test a three-phase distribution box by using a

The distribution box testing is very important and before doing this test we need to check the megger or insulation tester. In the merger we can see a

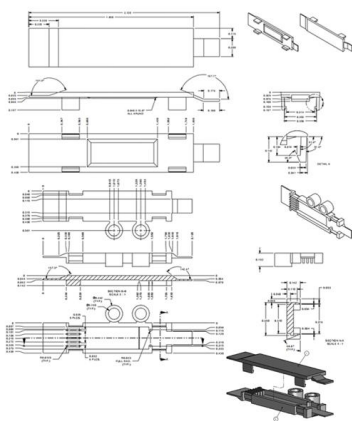
[Contact Us](#)

How To Test 220 Volts With A Multimeter? A Safe Guide

Understanding how to safely and accurately test 220-volt circuits using a multimeter is crucial for electricians, DIY enthusiasts, and anyone involved in electrical maintenance or repair.



[Contact Us](#)



How to Test 220V With a Multimeter

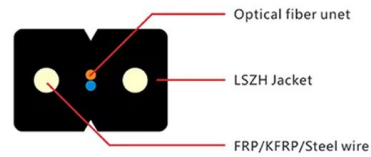
Safely diagnose 220V circuits. Follow expert steps for multimeter setup, probe placement, and interpreting complex voltage readings.

[Contact Us](#)

How to Test Outlets For Power and Voltage

Learn how to test outlets for power and for voltage levels. Learn how to test outlets with a voltage tester and other tools like a multimeter.

[Contact Us](#)



How to Install and Wire a Single Phase 220 Circuit: Step

Learn how to wire a single-phase 220-volt circuit with a detailed wiring diagram. Find step-by-step instructions and tips for safe installation and troubleshooting.

[Contact Us](#)

Distribution boards components

Distribution boards (generally only one in residential premises) usually include the meter (s) and in some cases (notably where the supply utilities impose a TT earthing system and/or tariff

[Contact Us](#)



How to Use a Digital Multimeter to Check a Standard

With this deluxe model digital multimeter you can test such things as AC/DC voltage, DC current, resistance, frequency, capacitance, continuity and do diode testing too.

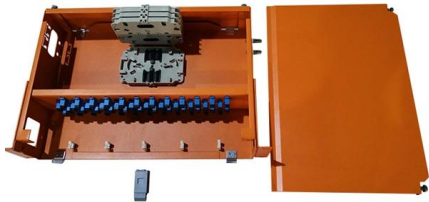
[Contact Us](#)



Understanding the 220 Volt Wiring Diagram

This wiring diagram ensures that the voltage is evenly distributed across the circuit, providing power to the appliance. Three Phase 220 Volt Wiring Diagram: Another

[Contact Us](#)



Testing a Circuit Breaker Panel for 240-Volt Electrical

Examine your circuit breaker panel to determine if it has the amperage capacity and space required for a new 240-volt circuit or appliance.

[Contact Us](#)

Electrical Test Kits

With numerous options depending on what your jobsite requires, these kits provide professionals with multiple ways to test and troubleshoot.

[Contact Us](#)



How To Test 220v Wires With Multimeter?

For the purposes of safely testing 220v wires, focusing on AC voltage, continuity, and resistance is sufficient. Always ensure your multimeter leads are in good condition, without cracks or

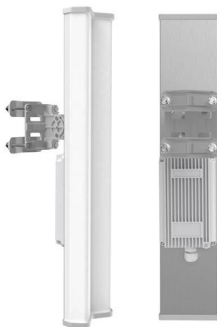
[Contact Us](#)



How to Wire a 220V Outlet: Step-by-Step Guide

Safely install a 220V/240V outlet. Guide covers essential planning, circuit compliance, wiring, and verification steps.

[Contact Us](#)



Main Breaker Panel , 220 Volt & 110 Volt Metal Electric

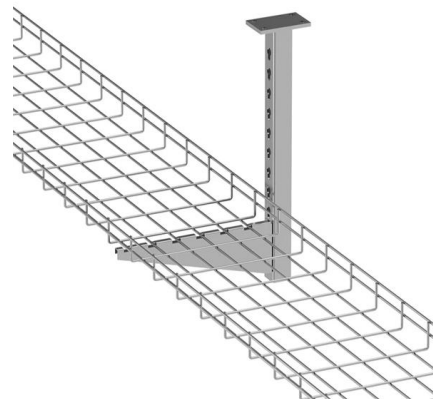
220V and 110V Circuit Breakers in an Electric Panel There are two main types of circuit breakers in an electric panel. Here's how to wire these two different types

[Contact Us](#)

How to Wire 120/240V Main Panel

120/240V Main Panel Breaker Box How to Wire 120V Circuits & Breakers The following tutorial explains how to wire a 120V single-phase breaker and load

[Contact Us](#)



How To Use A Multimeter To Test 220 Voltage?

In today's interconnected world, understanding and safely handling electrical systems is more crucial than ever. From household appliances to industrial machinery, the ubiquitous presence

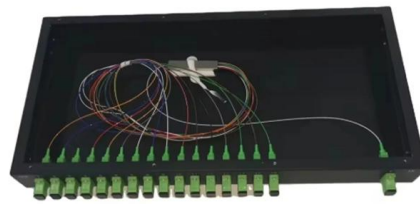
[Contact Us](#)



How to test the 220 voltage wires (Easy guide)

When I approach 220V electrical systems, I emphasize safety and accuracy in understanding the components such as the power supply, alternating current, circuit breaker, and

[Contact Us](#)



02

High Quality Material



High hardness to resist external impact, Good Shaping Performance Good Look and Anti-rust



How to Understand and Interpret a 220V Single Phase

Understanding the Basics of 220V Single Phase Diagram When it comes to understanding the electrical systems in our homes and businesses, the 220V

[Contact Us](#)

How to Check 220 Voltage With a Multimeter? 5 Easy

If the frequency range becomes 50 Hz their residential distribution voltage is 220 volts. Sometimes, you need to check that voltage, but how do you

[Contact Us](#)



How to Troubleshoot a Newly Installed Electrical Box

When devices in your new box don't work, you start by testing the circuit. You will want a voltage tester (doesn't need to be a voltmeter) for this job.

[Contact Us](#)



Understanding the Wiring Diagram for a 220 Volt

Learn how to wire a 220-volt breaker box with this detailed diagram. Ensure safe and efficient electrical installations for your home or business.

[Contact Us](#)



Multimeter Setting for 220V (Guide)

First, switch its selector knob to the AC side, then set it to the closest known voltage setting, usually 220 to 240 VAC. In this article, let me further

[Contact Us](#)



How to Wire a Single Phase Household Distribution Box (Quick Guide)

Learn how to wire a single-phase household distribution box in just 60 seconds! In this quick tutorial, we'll cover the essential components and wiring steps for a safe and efficient

[Contact Us](#)



How to Test 220V With a Multimeter

Using a multimeter allows the user to safely verify that the circuit is delivering the correct electrical potential to ensure proper equipment operation. This guide will walk through the

[Contact Us](#)



How to Test a 220V Outlet With a Multimeter

Safely verify the voltage and wiring integrity of 220V/240V appliance outlets. Step-by-step guide to testing and diagnosing faults.

[Contact Us](#)



How to Choose a House Distribution Box

Choosing the house distribution box that best fits your home is important for your safety and the efficiency of your electrical system. It facilitates the flow of electricity, guards appliances, and

[Contact Us](#)

Contact Us

For datasheets, pricing, or custom fiber access solutions, please visit:
<https://frindel.es>