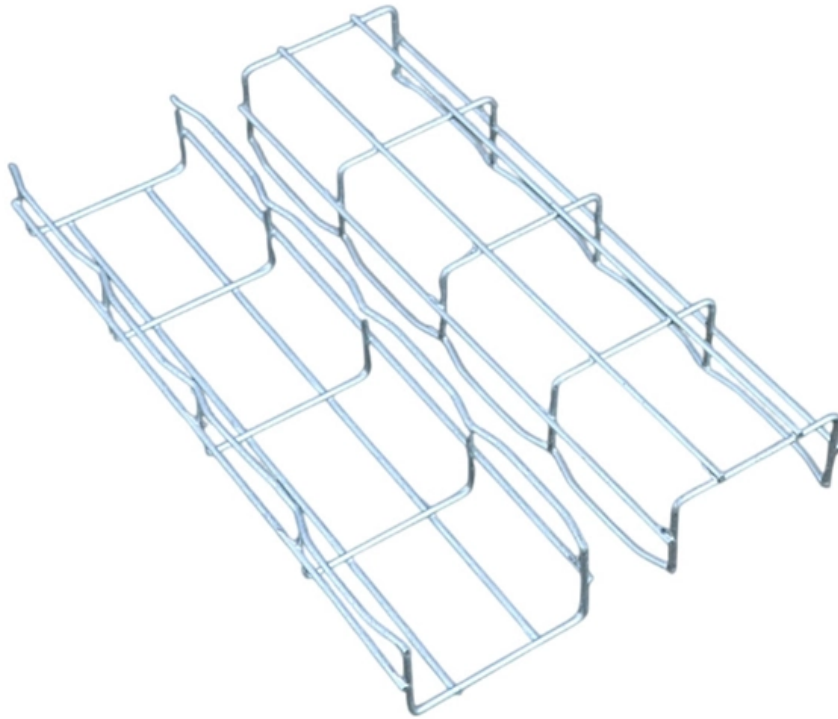


2 5G Liquid-Cooled Switch for Photovoltaic Power Stations





2 5G Liquid-Cooled Switch for Photovoltaic Power Stations



Ruijie Networks Released Near-packaged Optics (NPO) & Cold-plate Liquid

At the optical fiber communication conference and exhibit (OFC) 2022, Ruijie Networks released 51.2T silicon photonics NPO cold-plate liquid-cooling switch based on the 800G NPO

[Contact Us](#)

Liquid Cooled 35kw Bidirectional AC/DC V2g Charger

It can also replace traditional PCS for energy storage systems. With the high frequency MOSFET SiC switch technology, it can achieve excellent performance

[Contact Us](#)



Exploring the Future of AI Networking: Liquid-Cooled Switches on the

Proactively manage risk: Advanced leak detection, corrosion prevention technologies, and comprehensive monitoring capabilities are being engineered directly into liquid-cooled switch

[Contact Us](#)

Selection & reference guide Solutions for photovoltaic

This offering includes DC rated switches 16-630 A IEC and 28-400 A UL. For the AC side of solar circuits, ABB's standard UL fusible and non-fusible OS/OT disconnects provide a perfect solution.



Peplink 24 Port PoE 2.5G Switch

5GStore offers the best wireless and cellular gear, like the Peplink 24 Port PoE 2.5G Switch, and premium customer service. Visit us to learn more!

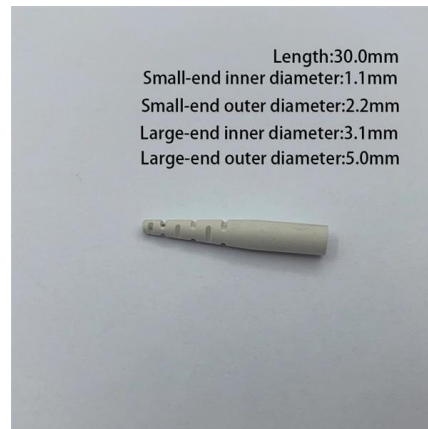
[Contact Us](#)



Arista touts liquid cooling, optical tech to reduce power

Arista executives discuss liquid-cooled networking gear and support for Linear Pluggable Optics to achieve power and cost optimization for AI data

[Contact Us](#)



DynaNET 10G-01

It is available with a 12VDC or 48VDC automotive-grade power supply. The DynaNET 10G-01 is liquid cooled and has no vents nor moving parts, dramatically

[Contact Us](#)



Peplink 24 PoE 2.5G Switch

Peplink 24 PoE 2.5G Switch 16x 1GE (802.3at PoE+) RJ45 ports, 8x 2.5GE (802.3at PoE+) RJ45 ports, 4x 10GE SFP+ ports, 410W PoE power budget

[Contact Us](#)



H3C Data Center Switches Green Energy-Efficient Technologies

Liquid cooling has higher thermal transfer efficiency than air cooling. It uses liquid convection and heat transfer to lower the temperature of electronic components, preventing component failures or rapid

[Contact Us](#)

Deep Dive: Liquid-Cooled AI Switches for the Next Generation

This article delves into the design difficulties and solutions for liquid-cooled switches, while also exploring the potential of liquid cooling technology in promoting innovation of network devices.



[Contact Us](#)



An optimal siting and economically optimal connectivity strategy for

Nokia developed and deployed a liquid-cooled base station system in collaboration with telecom operator Elisa and power system provider Efore, and an analysis by the Finnish National

[Contact Us](#)



Arista developing liquid-cooled network switches

Networking firm Arista is developing liquid-cooled switches and racks. As reported by NetworkWorld and Converge Digest, the company outlined its

[Contact Us](#)



Comprehensive Review of Power Electronic Converters

Emerging electric vehicle (EV) technology requires high-voltage energy storage systems, efficient electric motors, electrified power trains, and

[Contact Us](#)

What Are Next-Generation Liquid-cooled Switches Like?

The two types of liquid cooling used on a large scale in the data center field are cold-plate and submerged liquid cooling. Other types such as

[Contact Us](#)



The Study of Liquid Cooling Solution on 51.2T Switch

First, three different cold plate solutions were explored for thermal performance comparison with CFD simulation analysis.

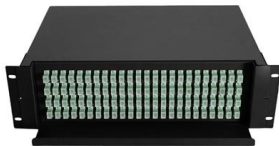
[Contact Us](#)



Kehua S³-EStation 2.0 liquid-cooled BESS builds safety

In response to the challenges presented by heat island effects, Kehua has launched its new generation S³-EStation 2.0 5MWh smart liquid

[Contact Us](#)



A comprehensive review of grid-connected inverter topologies and

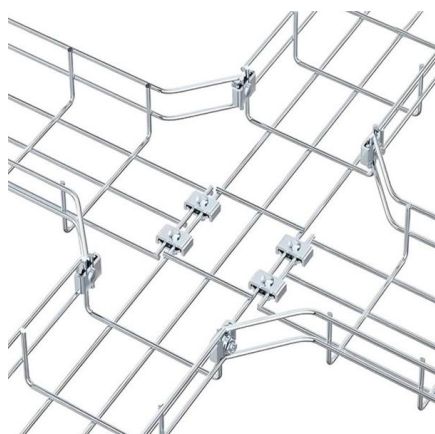
Thermal management constraints impose fundamental limitations on power density advancement, with theoretical limits indicating maximum achievable power densities near 8-10 kW/L

[Contact Us](#)

Nokia touts 30% base station energy savings with 5G cooling tech

In what Nokia's touted as a world-first, mobile operator Elisa deployed the vendor's 5G liquid cooling base station technology in Finland to help significantly reduce power consumption and

[Contact Us](#)



Switch deploys new hybrid air and liquid cooling design,

US data center firm Switch has launched a new data center design it claims can support up to 2MW per rack. The company has also expanded its

[Contact Us](#)



Huawei unveils first global liquid-cooled 600kW

Huawei has launched its first-ever liquid-cooled 600kW supercharging station. The ultimate solution is jointly developed by Enerji SA, Zebra, and

[Contact Us](#)



Liquid Cooling

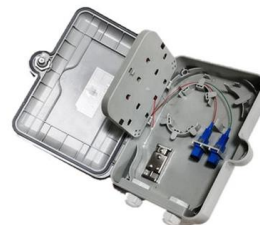
Liquid-cooled power supplies in which all the high-power components are placed on one side of the unit. When the PSU is inserted into the system, a

[Contact Us](#)

What Does it Take to Make the Switch to Liquid Cooling?

Liquid cooling can help data centers increase capacity while maintaining efficient space and energy use. It can also offer a favorable return on investment and lower the total cost of ownership for data center

[Contact Us](#)



Liquid cooling solutions for AI and high-density data

Designed for AI and HPC, it integrates air and liquid cooling for sustainable thermal management and seamless Open19/OCP compatibility. Explore our end-to-end

[Contact Us](#)



Liquid cooling solutions for AI and high-density data centers

Designed for AI and HPC, it integrates air and liquid cooling for sustainable thermal management and seamless Open19/OCP compatibility. Explore our end-to-end liquid cooling solutions for AI, high

[Contact Us](#)



Nokia and Elisa Deploy World's First Sustainable Liquid

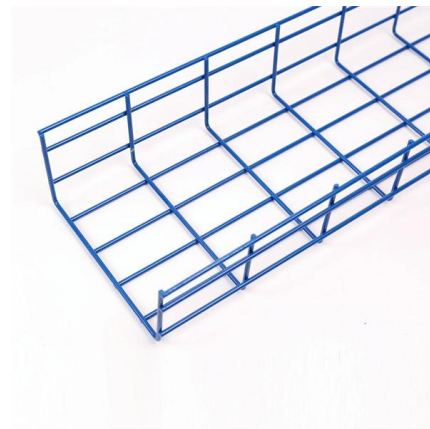
Nokia announced the world's first deployment of a liquid-cooled 5G base station, providing significant sustainability improvements over existing

[Contact Us](#)

Sungrow Liquid-Cooled ESS PowerTitan 2.0 is Set to

PowerTitan 2.0 introduces the revolutionary AC Block, which integrates a 5 MWh battery with a 2.5 MW PCS into a standard 20-foot container,

[Contact Us](#)



A world-first: Nokia, Elisa and Efore commercially deploy a liquid

Press Release Liquid-cooled base station in Helsinki directs previously wasted heat for use in heating an apartment building Removal of air-cooling components can cut energy costs by up

[Contact Us](#)



Contact Us

For datasheets, pricing, or custom fiber access solutions, please visit:
<https://frindel.es>