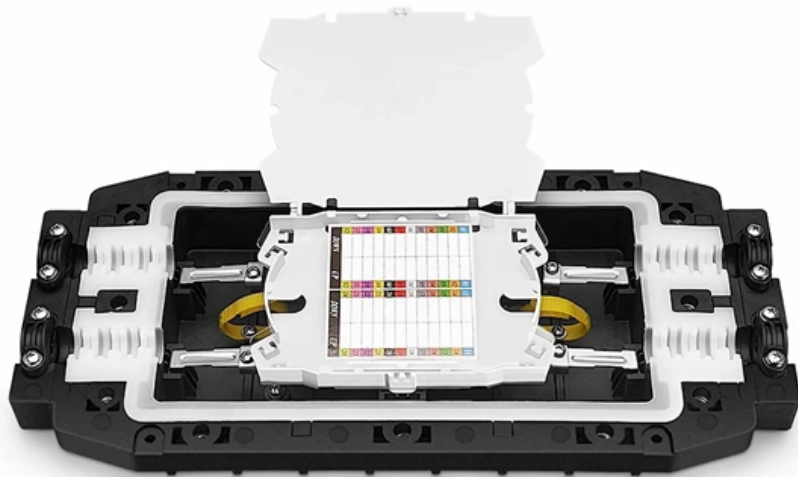


1G Active Optical Module from Austrian Stock





1G Active Optical Module from Austrian Stock



1G SFP Optical Transceiver Modules , Solid Optics

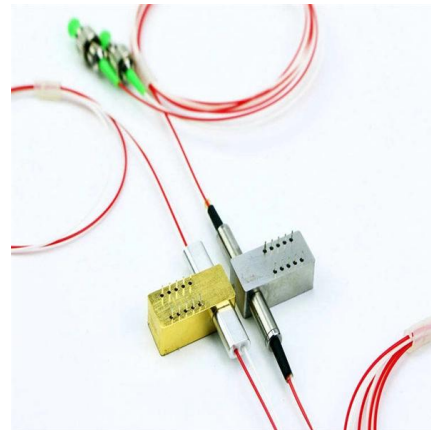
1G SFP optical transceiver modules for multi-mode and single-mode in distances ranging from 300 meters up to 80km with a limited lifetime warranty.

[Contact Us](#)

SFP 1G

With a data transmission speed of 1 Gbps, these modules are ideal for network deployments that require proven performance. SFP 1G modules are compatible with various Ethernet applications, offering

[Contact Us](#)



1G SFP Mini GBIC , SFP Transceiver Modules

Cisco Meraki MA-SFP-1GB-TX Compatible 1000BASE-T SFP Copper RJ-45 100m Transceiver Module 10GTEK/Ipolex Arista Avago +10 1G / Cisco / 100m / RJ45 / Cat5e/Cat6 / SFP 8447 in real-time

[Contact Us](#)



Introducing the 1G SFP Module: Enhancing Network

Discover the power of the 1G SFP module in revolutionizing network performance. Explore its benefits, real-world applications, and step-by-step



Arista Optics Modules and Cables

Overview Arista's Optical Modules and Cable portfolio offer a wide variety of high-density and low-power 800G (dual 400G), 400G, 200G, 100G, 50G, 40G, 25G, 10G, 1G, and 100M Ethernet connectivity

[Contact Us](#)



Choosing the Right 1G SFP Transceivers for Your Network Upgrade

With the increasing range of applications, many 1G SFP transceivers are available. However, choosing the right 1G SFP modules for your specific requirements can be difficult. If you

[Contact Us](#)



SFP Optical Module, 1Gb, LC SM, 20km, TX:1310nm

Insert type SFP (miniGBIC) designed for transmission of double (duplex) multimode fiber (MM) over a distance of 20km. TX wavelength 1310nm. All products'

[Contact Us](#)

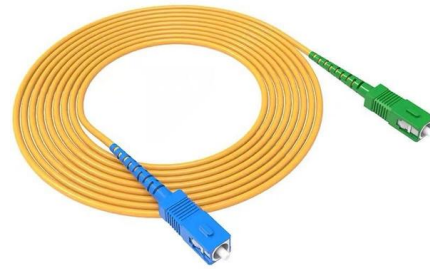




SFP1-MM-D Optical multi-mode 850nm 1G SFP transceiver

SFP1-MM-D is a fiber optic duplex transceiver for 850nm multimode signals. This standard pluggable SFP optical module has an LC connector for reception and transmission of signals over a single

[Contact Us](#)



Ultimate Guide to 1G SFP Module Selection

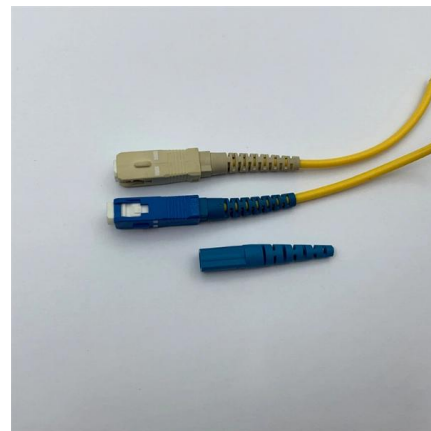
Learn how to choose the right 1G SFP module for your network. Our guide covers compatibility, distance, fiber type, cost, and vendor selection for optimal performance.

[Contact Us](#)

SFP-1G-SX Explained: The Essential Guide to 1G

Discover how this module powers core enterprise networking. The relentless demand for faster, more reliable network infrastructure makes fiber

[Contact Us](#)



Exploring the Applications and Advantages of 1G SFP

Unveiling the Future of Optical Networking: Explore the Power and Precision of 1G SFP Modules! From the intricacies of optical module technology

[Contact Us](#)



From 1G SX 850nm SFP to 1G EZX 1550nm SFP , High

SFP 1G transceiver is a series of SFP with the speed rate up to 1Gbps and transmission up to 110km. The small form-factor pluggable (SFP) is a compact,

[Contact Us](#)



1G SFP Optical Transceivers , Transceiver Modules

Store.QSFPTEK 1G SFP transceivers provide wide selection for various Gigabit Ethernet applications, such as 100+ vendors compatibility, copper/fiber, SMF/MMF, 100m to 80km.

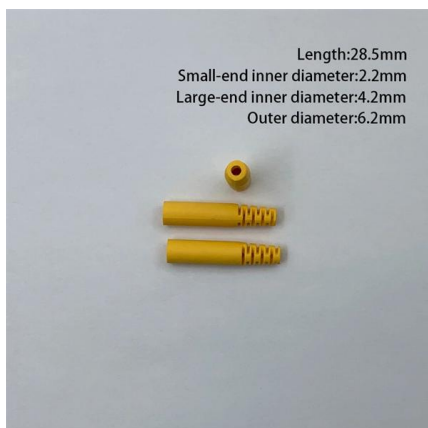
[Contact Us](#)



1G SFP Mini GBIC , SFP Transceiver Modules

Cisco DS-SFP-GE-T Compatible 1000BASE-T SFP Copper RJ-45 100m Transceiver Module 10GTEK/Ipolex Arista Avago +10 1G / Cisco / 100m / RJ45 / Cat6/Cat6a / SFP 8541 in real-time

[Contact Us](#)



Length:28.5mm
Small-end inner diameter:2.2mm
Large-end inner diameter:4.2mm
Outer diameter:6.2mm

AMG SFP-SM-1G-BX40-31 SFP-1G Series, SFP

The AMG SFP-1G series are industrial high speed 1000Mb Ethernet SFP's offering support for multiple cable types including copper (Cat5E or higher) as well as

[Contact Us](#)



A Complete Guide to 1G Optical Modules and How

This comprehensive guide explores the world of 1Gbase optical modules and delves into the workings of the 1000BASE-LR standard for long

[Contact Us](#)



UbiQiti Optical Multi-Mode Module 1G 20-Pack

UbiQiti Optical Multi-Mode Module 1G 20-Pack
Produktbeschreibung: oUbiqiti U Fiber SFP Multi Mode Modul 1G 20er Pack
Model: UACC-OM-MM-1G-D-20
Ubiqiti Networks bietet eine Vielzahl von U®

[Contact Us](#)

Exploring 1G SFP Modules and Their Applications,

Discover the indispensable role of 1G SFP modules in modern networking infrastructures with our comprehensive blog article. Explore the

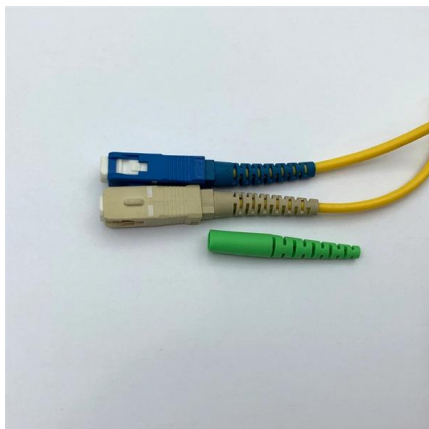
[Contact Us](#)



SFP modules - transceivers for 1/2/4G fibre channel

SFP - small form factor - pluggable modules for various optical data communications such as Fast Ethernet, Gigabit Ethernet, BiDi, SDH Sonet and 4G.

[Contact Us](#)

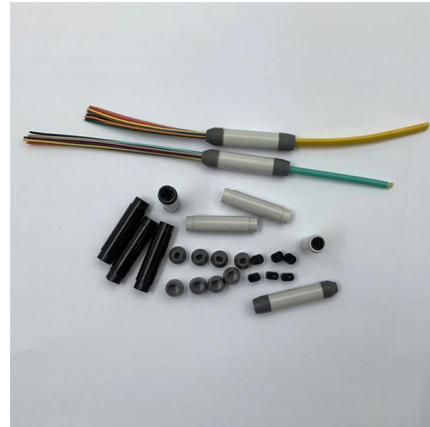


1G SFP - Optcore



Upgrade your network switches with various 1G SFP. Guarantee compatibility with Cisco, Arista, HPE and more. Save 80%, Fast shipping & 5-year warranty.

[Contact Us](#)



High-Performance 1G SFP Modules , Fast Data

To meet the growing demands of high-speed data links, GEZHI Photonics introduces its cutting-edge 1G SFP modules, offering unparalleled

[Contact Us](#)

UBIQUITI® UniFi 1G Multi-Mode Optical Module Transceiver 1-fach

Sorgen Sie für eine gute Verbindung in Ihrem Netzwerk mit den UBIQUITI® UniFi 1G Multi-Mode Optical Module Transceivern 1-fach. Gestalten Sie Ihren Datenstrom sicherer und schneller.

[Contact Us](#)



An Introduction to 1G SFP Modules: Understanding the Technology

Explore the world of 1G SFP modules in our latest blog. From unraveling the technology behind these small form-factor pluggable modules to discovering their applications in data centers,

[Contact Us](#)



1G CWDM/DWDM SFP Transceiver Modules , Optical Transceivers

FS 1G CWDM/DWDM SFP hot-swappable optical transceiver operates at DWDM wavelengths from CH17-CH61 and supports high-capacity long-distance network transmission, suitable for Gigabit

[Contact Us](#)



UBIQUITI 1 Gbps Multi-Mode Optical Module, 2-pack

Features: The 1 Gbps Multi-mode Optical Module is a duplex transceiver that delivers up to 1.25 Gbps speed over distances up to 550 meters.
Features: 1.25

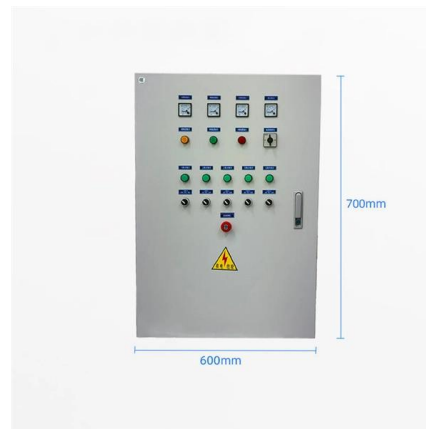
[Contact Us](#)



T1Nexus

Choose from our range of Active Optical Cables and Direct Attach Cables that support all form factors up to 800G. AOCs options include Environmentally

[Contact Us](#)



Professional Active Optical Cable (AOC) Manufacturer , 1G-800G Data

High-performance optical module solutions help upgrade network infrastructure As a professional optical module supplier, we provide a full range of optical transceiver modules from 1G to 400G, support

[Contact Us](#)



The Ultimate Guide to 1G SFP Modules

In this comprehensive guide, we delve into the world of 1G SFP modules, providing a complete understanding of their functionality, types, and

[Contact Us](#)



Contact Us

For datasheets, pricing, or custom fiber access solutions, please visit:
<https://frindel.es>