

1500 Distribution Box Diagram



89P

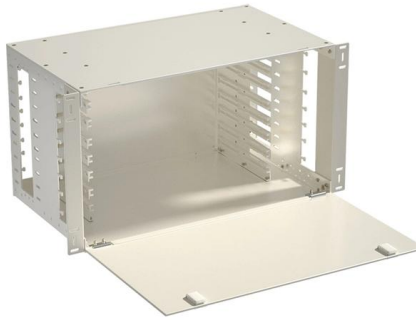
36P

16P





1500 Distribution Box Diagram



Distribution Box and Selection Guide

Distribution Box Selection Guide This guide provides information on how to select the appropriate Distribution Box for Electric project. If you have any

[Contact Us](#)

Electrical Distribution Box Diagrams , PDF , Power

This document provides a list of components in an electrical distribution box with their names and associated wiring diagrams. It includes tables of diodes, fuses,

[Contact Us](#)



Basic Composition Of Distribution Box System Diagram

The Distribution box system diagram mainly includes the following parts: ?Electrical parameter description?: Equivalent to the electrical nameplate, it

[Contact Us](#)



2015 Chevrolet Silverado 1500 fuse box diagram

Complete fuse box diagram for the 2015 Chevrolet Silverado 1500. Find fuse locations, amp ratings, and descriptions for all fuse boxes.

[Contact Us](#)



Example Of Distribution Box System Diagram

By reading the distribution box system diagram, you can understand the electrical connection and configuration of the distribution box, which provides

[Contact Us](#)



pdcc (power distribution center) under hood fuse box

It turns out that an electrical cable coming from the fuse box (power distribution center) which I believed to be a ground is actually connected to the hot cable coming from the battery

[Contact Us](#)



A Definitive Guide To Distribution Boxes

The distribution box acts as the center of power distribution, distributing electricity to all connected devices. A distribution box, also known as a distribution board, panel board, breaker

[Contact Us](#)





A Step-by-Step Guide to Wiring an Electrical Panel Box

Find out how to properly wire an electrical panel box with a comprehensive diagram and step-by-step instructions.

[Contact Us](#)



JXF Power Distribution Box (Cabinet) User Manual

Installation Diagram Open-mounted distribution box installation method: Assemble four bolts into the four holes on the corners and tighten them into the expansion pipes to fix the box.

[Contact Us](#)

RAM 1500 (2019 - 2021) - fuse and relay box diagram

RAM 1500 (2019 - 2021) - fuse and relay box diagram Year of production: 2019, 2020, 2021 The Dodge Ram 1500 (2019-2021) represents the

[Contact Us](#)



E3.cable

PDC (main Power Distribution Center-relay/fuse box) underhood Note - Port Upfitters Connectors, Under Dash Board near park brake bracket / Steering Column

[Contact Us](#)



Brochure Solution series Distribution blocks DBL range

The clever distribution concept The exclusive compact and modular design of our distribution blocks allows easy installation combined with a great flexibility of use.

[Contact Us](#)



Distribution Box (DB) circuit diagram.

Download scientific diagram , Distribution Box (DB) circuit diagram. from publication: The Short-Circuit Protections in Hybrid Systems with Low-Power Synchronous

[Contact Us](#)



Distribution Box Guide: Types, Components & Solutions

Understand distribution boxes (DB boxes) in 5 minutes. Learn about types, components, functions, and uses. Find the perfect DB box for your needs.

[Contact Us](#)



How To Read The Distribution Box System Diagram

?Check electrical parameters?: First understand the basic electrical parameters of Distribution box so that you can have a general understanding of

[Contact Us](#)



DC Distribution Box Manufacturer , PV & ESS DC Combiner Panels

PV, ESS, EV charging, telecom & industrial DC distribution up to 1500 VDC A DC distribution box --also called a DC combiner box, DC junction box, or DC distribution panel --collects multiple DC inputs,

[Contact Us](#)



Power Distribution Equipment

Power Distribution Equipment is a term generally used to describe any apparatus used for the generation, transmission, distribution, or control of electrical energy.

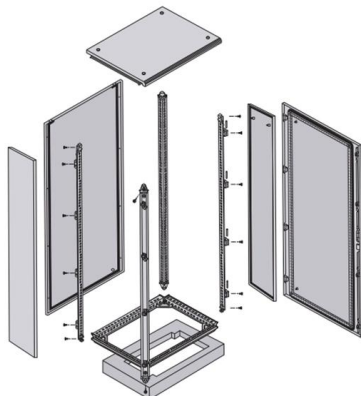
[Contact Us](#)

2.2 Distribution Unit. ComNav 1500, 1510

View online or download PDF (2 MB) ComNav 1500, 1510 Installation and operating instructions o 1500, 1510 Marine GPS System PDF manual download and more ComNav online manuals. 2.2 Distribution



[Contact Us](#)



Fuse Box Diagram Dodge Ram 1500 / 2500 / 3500

Here you will find fuse box diagrams of Dodge Ram Pickup 1500/2500/3500 1994, 1995, 1996, 1997, 1998, 1999, 2000 and 2001, get information about the location

[Contact Us](#)

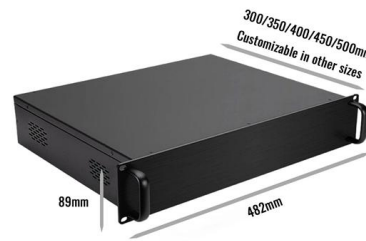
Installation of MYeBOX 1500 in a



distribution panel.

The model is the MYeBOX 1500 kit (smart meter, 600 V CAT III doubleinsulated voltage cables/ crocodile clamps, current clamps/Rogowski coils, tablet), while

[Contact Us](#)



Power Distribution Blocks

One of which is our line of polycarbonate 600V / 90 to 1520A Power Distribution Blocks. Safe and convenient, durable and easy to install, they're the simple way to split primary power circuits into

[Contact Us](#)



VT-3_Order_MV_E_VT-3_Order_MV_E.qxd

Distribution Boxes for Electrical Installation Flush-mounted, surface-mounted and open* distribution boxes IP40, IP43, IP54, (*IP30) Protection class I or with double intermediate insulation

[Contact Us](#)



2015 Ram 1500 Fuse Box Diagram: Locations,

By The Numbers 15% Reported Electrical Issues 60% Owners Replacing Fuses 2015 ram 1500 fuse box diagram Engine Compartment Fuse

[Contact Us](#)



Contact Us

For datasheets, pricing, or custom fiber access solutions, please visit:
<https://frindel.es>