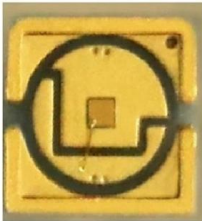


100G optical module divided into 25G





100G optical module divided into 25G



Optical Transceiver Speeds Guide: 1G, 10G, 25G, 40G,

Compare 1G->200G optical transceivers: form factors, reach, modulation, and use cases. Practical selection checklist and WOLON-compatible product options.

[Contact Us](#)

Models, specifications, and compatibility

The following optical breakout cables can be used with 100G SR4 to split into 4x 25G SR compatible streams. These cables are ordered from the HPE Compute and Server or Storage business units

[Contact Us](#)



Optical Modules Market Research Report 2034

The optical modules market was valued at \$14.8 billion in 2025 and is projected to reach \$39.6 billion by 2034, growing at a CAGR of 11.5%.

[Contact Us](#)

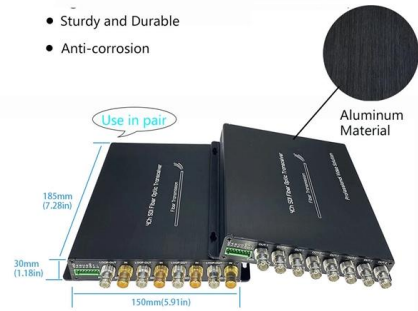


EML vs DML Laser: What Are the Differences?

When people talk about high-speed optical modules, they usually focus on specific numbers: 25G, 100G, 400G, 10km, 40km. But behind every stable link, there's a laser doing the real

High Quality Aluminum Housing with Compact Size

- Sturdy and Durable
- Anti-corrosion



How to Breakout 100G to 4x25G: Complete Guide , Vitex

Learn how to breakout 100G to 4x25G connections. Step-by-step guide covering breakout cables, transceivers, and configuration for network

[Contact Us](#)

Breakout Transceiver 100G to 25G: Migration Playbook for Data Centers

Learn how breakout transceiver 100G 25G modules enable 100G to 25G migration in data centers, with specs, pitfalls, and selection checklist.

[Contact Us](#)



Breakout-Capable 100G QSFP28 Modules: From 100G to 25G

Discover breakout-capable 100G QSFP28 modules, supporting 100G to 25G deployment. Learn types, benefits, and best practices for scalable data centers.

[Contact Us](#)



What Is an SFP Module? -- Complete Guide to SFP, SFP+ & SFP28

? What Is an SFP Module? An SFP module (Small Form-factor Pluggable) is a removable, standardized transceiver that plugs into an SFP cage or slot on networking devices such as

[Contact Us](#)



Wholesale Optical Transceivers Module , 100G

Shop high-speed optical transceivers from Unitekfiber. We offer 100% compatible 40G, 100G, and 400G QSFP-DD modules for data centers. Expert technical

[Contact Us](#)

Custom 100G QSFP28 PSM4 Module , MPO Breakout , WolonFiber

Custom 100G QSFP28 PSM4 Module (Parallel Single-Mode) Physical Layer Isolation: Bypasses internal wavelength division multiplexing (MUX), relying on four independent 1310nm DFB single-mode

[Contact Us](#)



Optical module

Optical modules can either plug into a front panel socket or an on-board socket. Sometimes the optical module is replaced by an electrical interface module that implements either an active or passive

[Contact Us](#)



Unveiling The Core Technologies Of Optical Modules: DML Vs. EML

DML or EML - which leads in high-speed optical transmission? This article dives into the core technologies of optical modules, comparing direct modulated lasers (DML) and electro

[Contact Us](#)



Selecting the Perfect 100G Optical Module Packaging:

100G optical modules have emerged as essential components in the fast-paced world of data centers and network communications. With a plethora of

[Contact Us](#)

SFP+, SFP28, QSFP+, QSFP28, QSFP56, QSFP-DD,

Generally, it is intended for 100 Gigabit Ethernet, EDR InfiniBand, or 32G Fibre Channel networks. Using a QSA adapter, you may also convert the

[Contact Us](#)



Small Form-factor Pluggable

Small Form-factor Pluggable connected to a pair of fiber-optic cables Small Form-factor Pluggable (SFP) is a compact, hot-pluggable

[Contact Us](#)



10G, 25G, 50G and 100G Optical Transceivers and Ethernet Standards

A practical guide to modern optical transmission standards from 10G to 100G Ethernet. Learn the differences between SFP, QSFP, and CFP transceivers, NRZ vs PAM4 modulation, lane

[Contact Us](#)



How to interconnect the Gigabit RJ45 port with the SFP

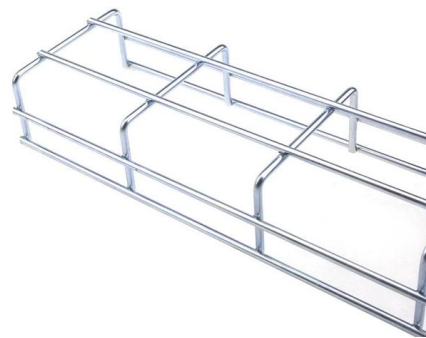
Insert the Gigabit electrical port module into the SFP optical port, and then connect the Category 6 network cable to the Gigabit RJ45 port. This method

[Contact Us](#)

SFP-10G-LR-1310nm 20km LC DDM Optical Transceiver

The common optical modules are divided into short distance (300M-2KM), middle distance (10KM-40KM), long distance (>40km), The farther the transmission

[Contact Us](#)



QSFP Optical Module Planning for the Future: Key Trends 2026-2034

Explore the dynamic QSFP optical module market, forecast to reach \$14.7 billion by 2025 with a 4.5% CAGR. Discover key drivers, trends, and applications in high-speed networking and data

[Contact Us](#)



Custom 100G QSFP28 PSM4 Module , MPO Breakout , WolonFiber

The 100G QSFP28 PSM4 transceiver is specifically architected for high-density single-mode breakout topologies. Unlike CWDM4 modules that multiplex signals over a duplex LC interface, the PSM4

[Contact Us](#)



SFP Module Guide: SFP vs SFP+ vs SFP28 vs QSFP and How to

Learn what an SFP module is, how SFP, SFP+, SFP28, and QSFP differ, and how to choose the right module for speed, distance, fiber type, and compatibility.

[Contact Us](#)

SFP+, SFP28, QSFP+, QSFP28, QSFP56, QSFP-DD,

Connector: QSFP28 uses parallel fiber connectors (MPO) or WDM modules (LAN-WDM) to achieve the 4x25G speed, while SFP28 usually uses the

[Contact Us](#)



What Is QSFP28? A Clear Explanation of 100G Transceivers

QSFP28 (Quad Small Form-Factor Pluggable 28) enables 100G transmission by aggregating four parallel 25G electrical lanes, delivering an optimal balance of bandwidth efficiency, power

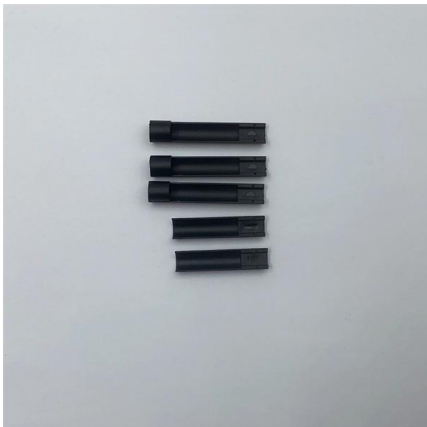
[Contact Us](#)



Why can a 100G optical module use a 25G chip? , Weyland

A typical 100G module is implemented as 4 x 25G channels. Each 25G chip handles a single lane, and the combined output of four lanes reaches the 100G total bandwidth. This principle

[Contact Us](#)



Optical Transceiver Companies

The Services category is divided into Technical Support and Advanced Services. Cisco Systems, Inc. offers optical transceiver modules used in various networking applications, ranging from campus to

[Contact Us](#)

100G QSFP to 4 x 25G female SFP28 exists? : r/networking

There is usually a CLI or other option to split a 100G port into 4 25G ports. Some devices only support certain ports for breakouts, some won't support it at all.

[Contact Us](#)



Contact Us

For datasheets, pricing, or custom fiber access solutions, please visit:
<https://frindel.es>